

SHURflo®

MODEL: SLV10-BA40

SPECIFICATIONS:

MODEL NUMBER: SLV10-BA40

PUMP DESIGN: Positive Displacement Pump

MOTOR: Permanent Magnet, 11-262-00

VOLTAGE: 12VDC Nominal

PRESSURE SWITCH: Factory Set @ 40PSI Shut-Off, Turn on 25 ± 5 PSI

LIQUID TEMPERATURE: 110 Degrees Fahrenheit (43 Degrees Centigrade) Max

PRIME: Self Priming Up to 2.5 Ft. Vertical

PORTS: 3/8" Barb

MATERIAL CONSTRUCTION:

MOTOR HOUSING - Nylon

PLASTICS- Polypropylene

VALVES- EPDM

DIAPHRAGM- Santoprene

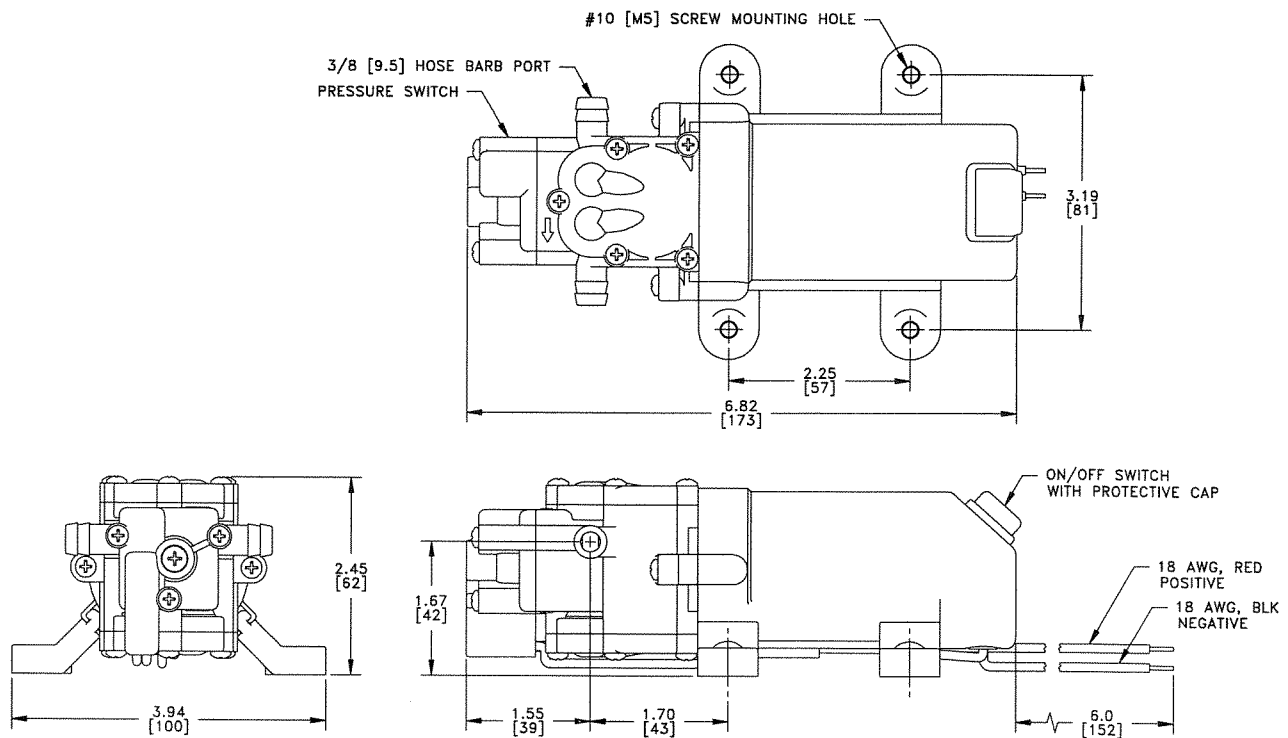
FASTENERS- Zinc Plated/ Stainless Steel

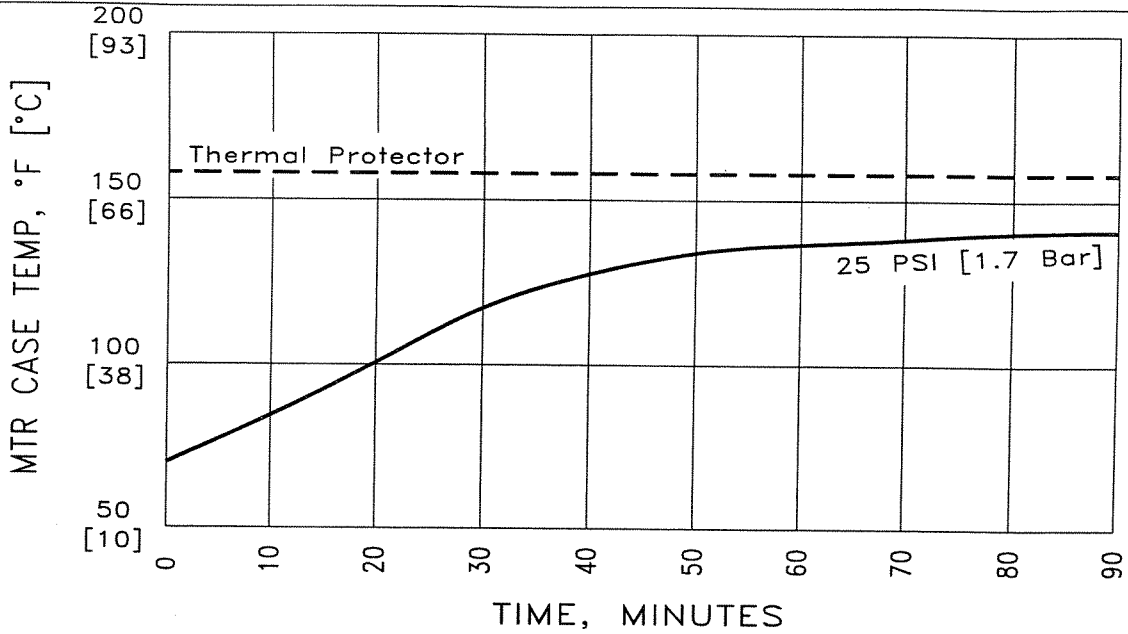
FOR SPOT SPRAYING APPLICATIONS, USE #8 SPRAY TIP OR LARGER

NET WEIGHT: 1.27 lbs

DUTY CYCLE: Intermittent

DIMENSIONS:



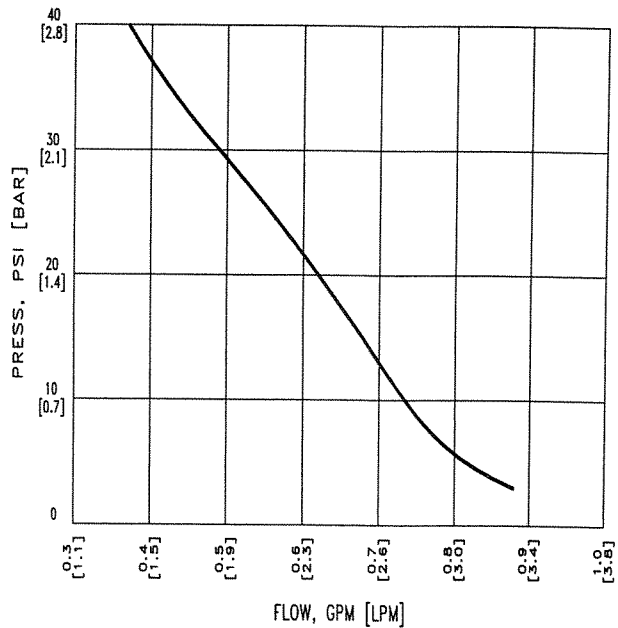


THIS GRAPH IS FOR USE AS A DESIGN GUIDE. IT IS BASED ON RUNNING CONTINUOUSLY WITH AN AMBIENT TEMPERATURE OF 70°F (21°C) IN STILL AIR.

MODEL: SLV10-BA40

TYPICAL PERFORMANCE

PRESSURE (PSI) / BAR	FLOW (GPM/LIT)	RPM MIN/MAX	CURRENT AMPS	VOLTS
3/.2	.9/3.4	3999/4346	1.8	12Volt
10/.7	.73/2.8	3827/4178	2.1	"
20/1.4	.62/2.3	3682/4045	2.3	"
30/2.1	.49/1.9	3609/3980	2.5	"
40/2.8	.37/1.4	3599/4034	2.4	"



FLOW-GALLONS PER MINUTE (LITERS PER MINUTE)

-SPECIFICATIONS SUBJECT TO CHANGE WITHOUT NOTICE
 -ALL DATA BASED ON TESTING WITH WATER AT AMBIENT TEMPERATURE

5900 KATELLA AVENUE, CYPRESS, CA 90630 (562) 795-5200 (800) 854-3218/FAX 562-795-7554
 SHURflo EAST, 52748 PARK SIX COURT, ELKHART, IN 46514 (219) 262-0478/(800) 762-8094/FAX 219-264-2169
 EUROPEAN DIVISION, UNIT 5, STERLING PARK, GATWICK ROAD, CRAWLEY, WEST SUSSEX RH10 2QT
 011-44-1293-424-050 FAX 011-44-129-421-880

SHURflo®

MODEL: SLV10-BA41

SPECIFICATIONS:

MODEL NUMBER: SLV10-BA41

PUMP DESIGN: Positive Displacement Pump

MOTOR: Permanent Magnet, 11-262-00

VOLTAGE: 12VDC Nominal

PRESSURE SWITCH: Factory Set @ 40PSI Shut-Off, Turn on 25 ± 5 PSI

LIQUID TEMPERATURE: 110 Degrees Fahrenheit (43 Degrees Centigrade) Max

PRIME: Self Priming Up to 2.5 Ft. Vertical

PORTS: 3/8" Barb

MATERIAL CONSTRUCTION:

MOTOR HOUSING - Nylon

PLASTICS - Polypropylene

VALVES - EPDM

DIAPHRAGM - Santoprene

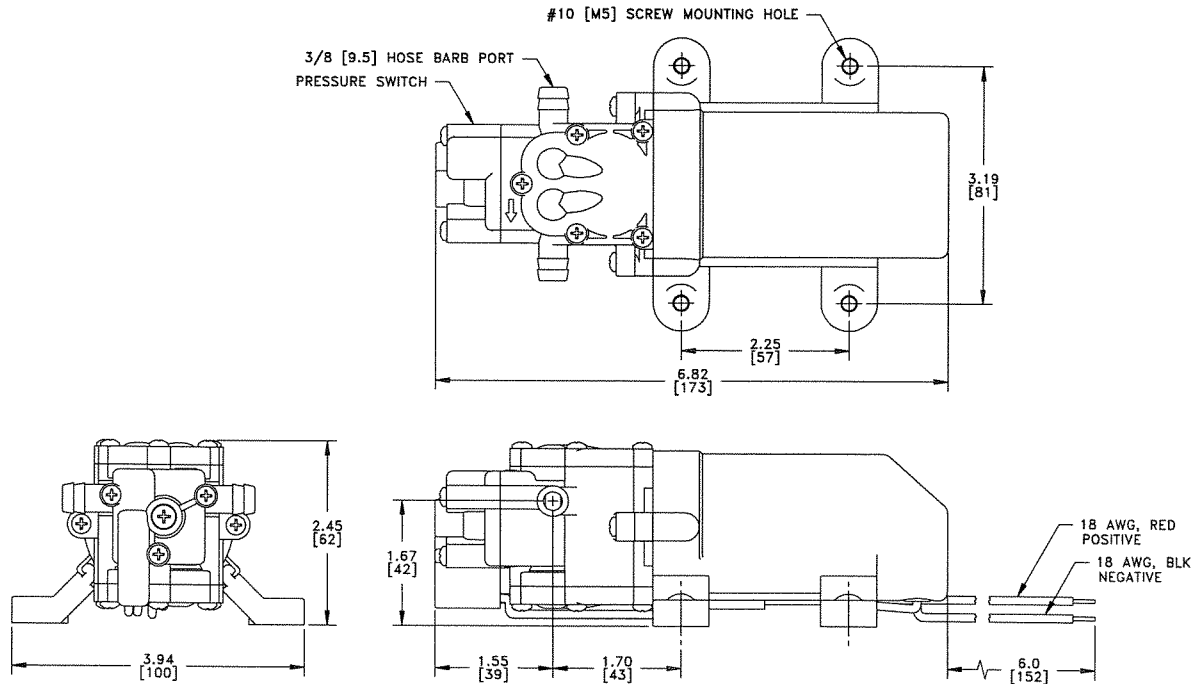
FASTENERS - Zinc Plated/ Stainless Steel

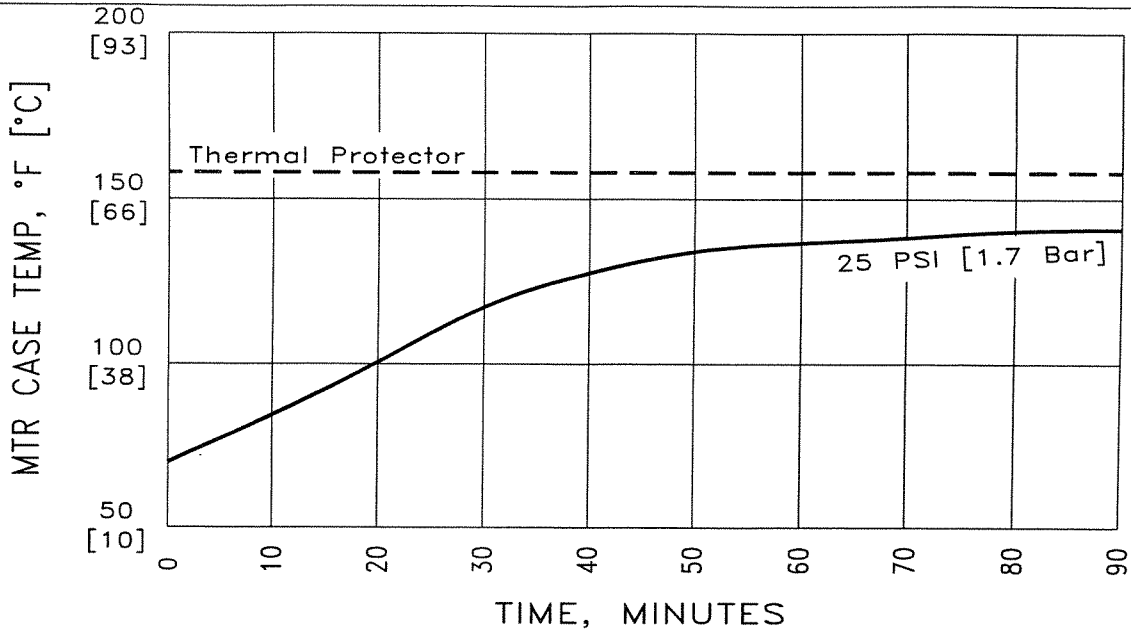
FOR SPOT SPRAYING APPLICATIONS, USE #8 SPRAY TIP OR LARGER

NET WEIGHT: 1.27 lbs

DUTY CYCLE: Intermittent

DIMENSIONS:



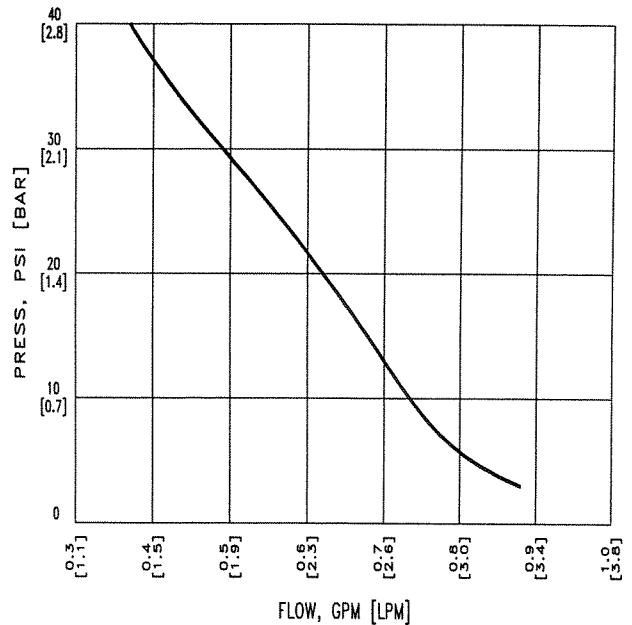


THIS GRAPH IS FOR USE AS A DESIGN GUIDE. IT IS BASED ON RUNNING CONTINUOUSLY WITH AN AMBIENT TEMPERATURE OF 70°F (21°C) IN STILL AIR.

MODEL: SLV10-BA41

TYPICAL PERFORMANCE

PRESSURE (PSI)/BAR	FLOW (GPM/LIT)	RPM MIN/MAX	CURRENT AMPS	VOLTS
3/.2	.9/3.4	3999/4346	1.8	12Volt
10/.7	.73/2.8	3827/4178	2.1	"
20/1.4	.62/2.3	3682/4045	2.3	"
30/2.1	.49/1.9	3609/3980	2.5	"
40/2.8	.37/1.4	3599/4034	2.4	"



FLOW-GALLONS PER MINUTE (LITERS PER MINUTE)

-SPECIFICATIONS SUBJECT TO CHANGE WITHOUT NOTICE
 -ALL DATA BASED ON TESTING WITH WATER AT AMBIENT TEMPERATURE

5900 KATELLA AVENUE, CYPRESS CA 90630 (562) 795-5200 (800) 854-3218/FAX (562) 795-7554
 SHURflo EAST, 52748 PARK SIX COURT, ELKHART, IN 46514 (219) 262-0478/(800) 762-8094/FAX 219-264-2169
 EUROPEAN DIVISION, UNIT 5, STERLING PARK, GATWICK ROAD, CRAWLEY, WEST SUSSEX RH10 2QT
 011-44-1293-424-050 FAX 011-44-129-421-880