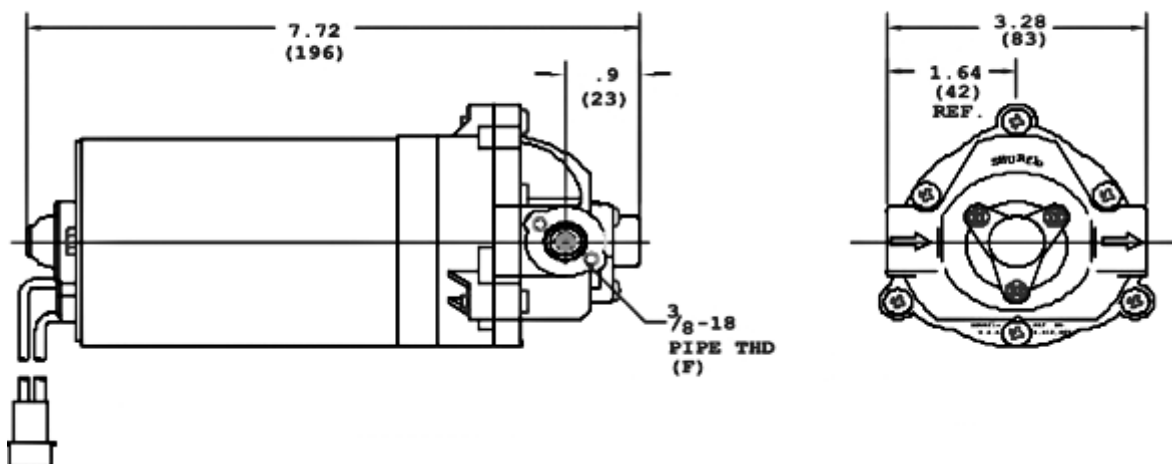


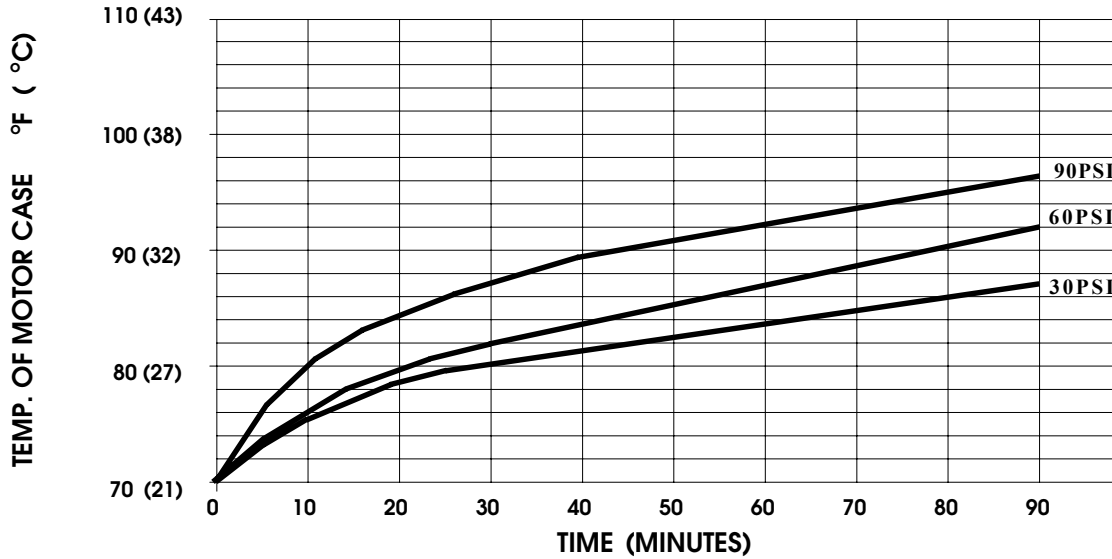
### SPECIFICATIONS:

**MODEL NUMBER:** 8075-121-310  
**PUMP DESIGN:** Positive Displacement 3 Chamber Diaphragm Pump  
**CAM:** 2.0 Degree  
**MOTOR:** Permanent Magnet, P/N 11-188-05  
**VOLTAGE:** 24 VDC Nominal  
**PRESSURE SWITCH:** None  
**LIQUID TEMPERATURE:** 180 Degrees Fahrenheit (82 Degrees Centigrade) Max.  
**PORTS:** 3/8"-18 NPT Female  
**MATERIAL OF CONSTRUCTION:**  
    **PLASTICS-** Nylon  
    **VALVES-** EPDM  
    **DIAPHRAGM-** Santoprene  
    **FASTENERS-** Stainless Steel  
**NET WEIGHT:** 4.5 Lbs (2.0 Kg)  
**DUTY CYCLE:** Continuous (See Temperature Rise Chart)  
**APPROVALS:** N.S.F. Listed  
**TYPICAL APPLICATIONS:** R.O. Booster Pump  
**BYPASS:** 95 to 115 PSI Max.

### DIMENSIONS:

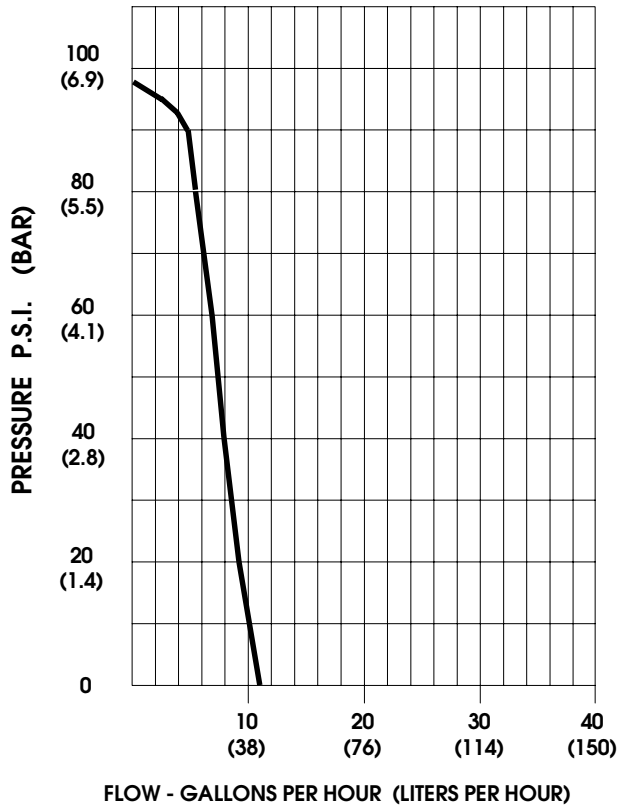


**TEMPERATURE RISE**



THIS GRAPH IS FOR USE AS A DESIGN GUIDE. IT IS BASED ON RUNNING CONTINUOUSLY WITH AN AMBIENT TEMPERATURE OF 70° F IN STILL AIR.

**TYPICAL PERFORMANCE**



PRESSURE (PSI)	FLOW (GPH/LIT)	RPM MIN/MAX	CURRENT (AMPS)	VOLTAGE (VOLTS)
OPEN	10.8/41	390/395	0.13	24 VDC
10	9.8/37	370/375	0.16	"
20	9.1/34	350/360	0.20	"
30	8.4/32	340/350	0.24	"
40	7.9/30	320/340	0.27	"
50	7.3/28	310/325	0.30	"
60	6.8/26	300/310	0.33	"
70	6.2/23	280/285	0.36	"
80	5.7/21	270/275	0.39	"
90	5.1/19	250/255	0.41	"

*-SPECIFICATIONS SUBJECT TO CHANGE WITHOUT NOTICE.  
-ALL DATA BASED ON TESTING WITH WATER.*