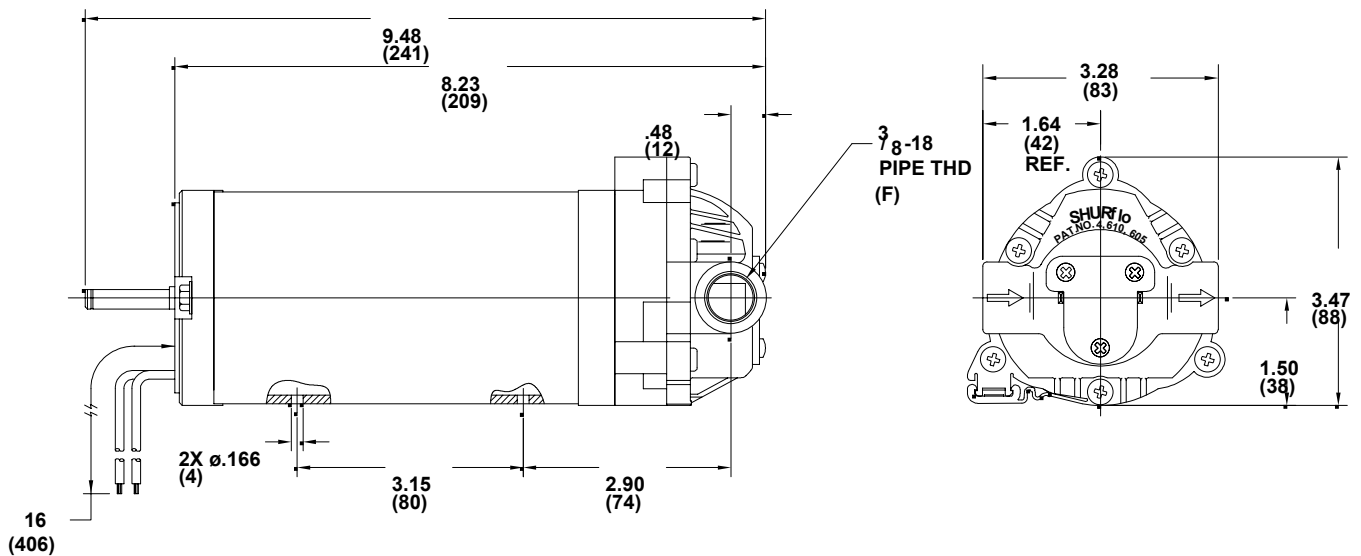


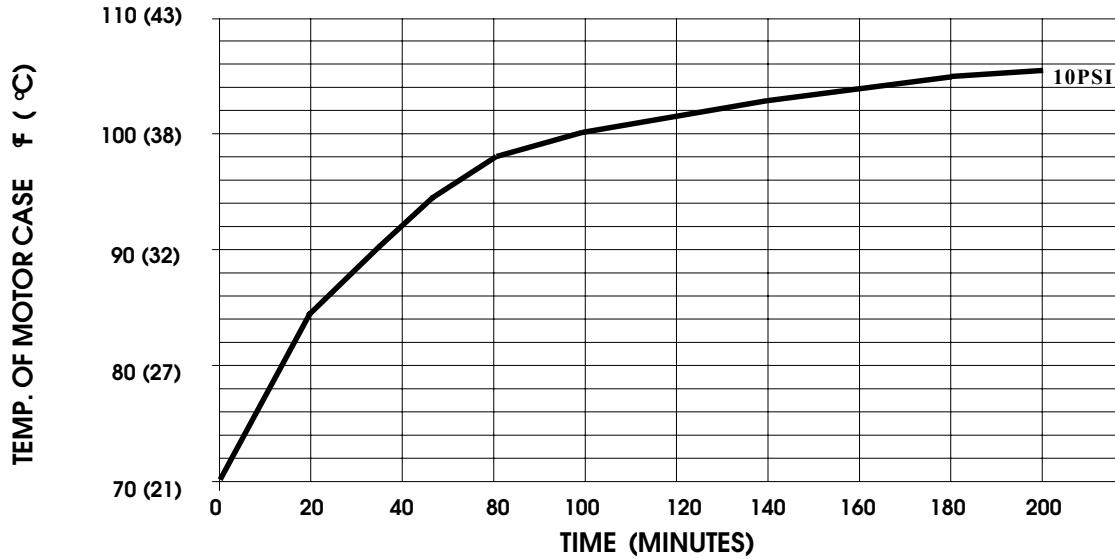
SPECIFICATIONS:

- MODEL NUMBER:** 8035-212-500
- PUMP DESIGN:** Positive Displacement 3 Chamber Diaphragm Pump
- CAM:** 2.5 Degree
- MOTOR:** Permanent Magnet, P/N 11-230-00
- VOLTAGE:** 12 VDC Nominal
- PRESSURE SWITCH:** None
- LIQUID TEMPERATURE:** 170 Degrees Fahrenheit (77 Degrees Centigrade) Max.
- PRIME:** Self-Priming Up To 6.0 Ft. Vertical,
 Max. Inlet Pressure 30 PSI (2.1 Bar)
- PORTS:** 3/8"-18 NPT Female
- MATERIAL OF CONSTRUCTION:**
 - PLASTICS-** Polypropylene
 - VALVES-** EPDM
 - DIAPHRAGM-** Santoprene
 - FASTENERS-** Stainless Steel
- NET WEIGHT:** 5.8 Lbs (2.6 Kg)
- DUTY CYCLE:** Intermittent (See Temperature Rise Chart)
- TYPICAL APPLICATIONS:** Evaporator Cooler

DIMENSIONS:

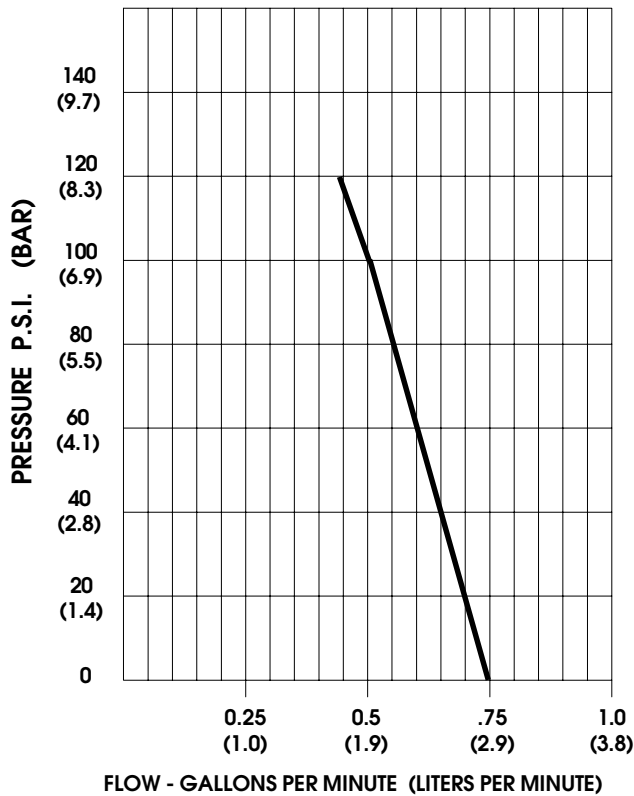


TEMPERATURE RISE



THIS GRAPH IS FOR USE AS A DESIGN GUIDE. IT IS BASED ON RUNNING CONTINUOUSLY WITH AN AMBIENT TEMPERATURE OF 70° DEGREES F IN STILL AIR.

TYPICAL PERFORMANCE



PRESSURE (PSI)	FLOW (GPM/LIT)	RPM MIN/MAX	CURRENT (AMPS)	VOLTAGE (VOLTS)
OPEN	0.73/2.8	1255/1270	1.1	12 VDC
10	0.72/2.7	1245/1260	1.4	"
20	0.70/2.6	1230/1240	1.7	"
40	0.67/2.5	1205/1216	2.2	"
60	0.62/2.3	1180/1190	2.8	"
80	0.57/2.2	1150/1165	3.2	"
100	0.51/1.9	1135/11/40	3.6	"
120	0.44/1.7	1115/1130	3.9	"

-SPECIFICATIONS SUBJECT TO CHANGE WITHOUT NOTICE.

-ALL DATA BASED ON TESTING WITH WATER AT AMBIENT TEMPERATURE.