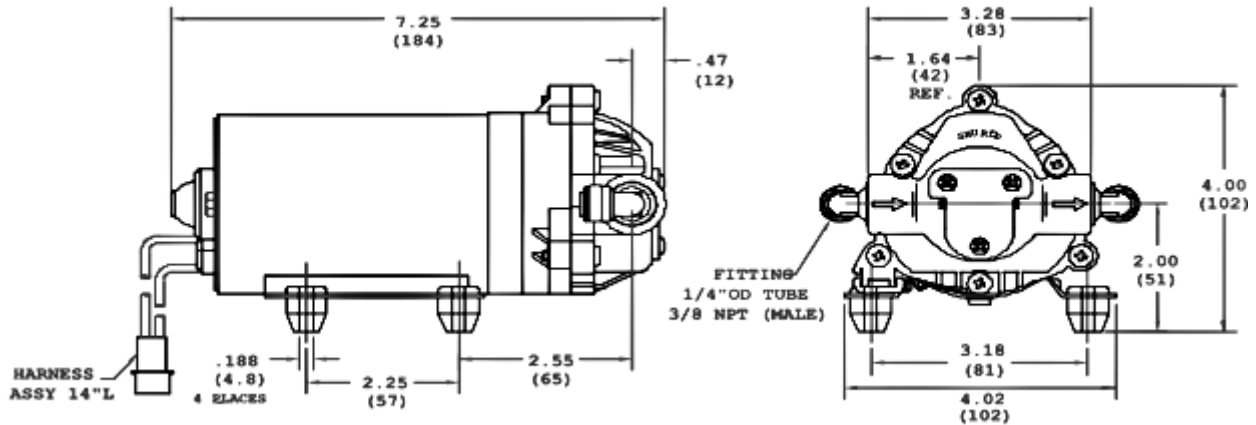


SPECIFICATIONS:

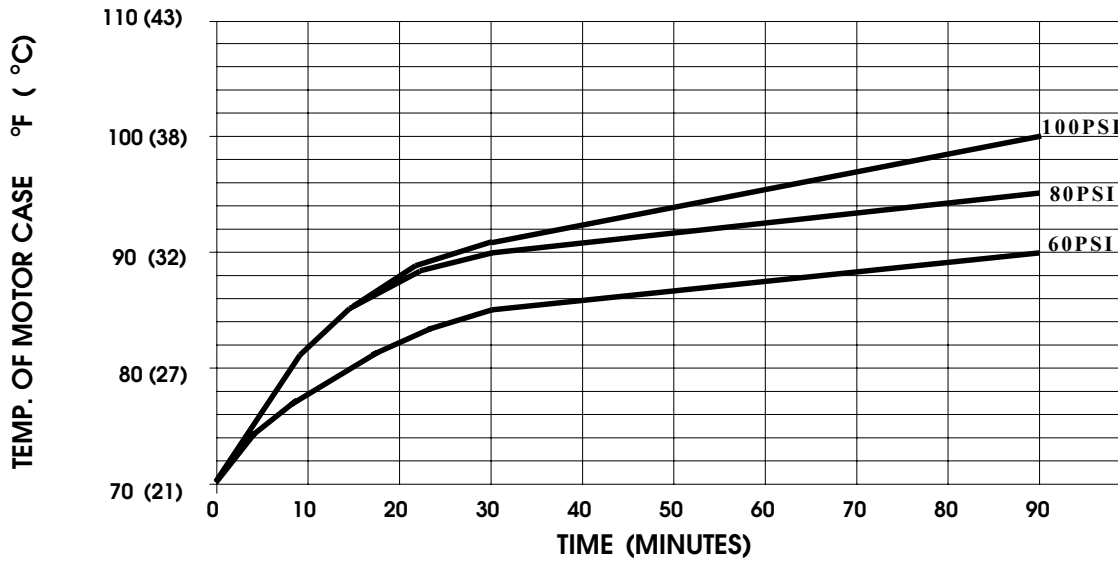
MODEL NUMBER: 8010-101-205
PUMP DESIGN: Positive Displacement 3 Chamber Diaphragm Pump
CAM: 2.0 Degree
MOTOR: Permanent Magnet, P/N 11-155-00
VOLTAGE: 24 VAC Nominal
PRESSURE SWITCH: None
LIQUID TEMPERATURE: 180 Degrees Fahrenheit (82 Degrees Centigrade) Max.
PORTS: John Guest 1/4" Tube Push-In Fittings
MATERIAL OF CONSTRUCTION:
 PLASTICS- Nylon
 VALVES- EPDM
 DIAPHRAGM- Santoprene
 FASTENERS- Stainless Steel
NET WEIGHT: 4.9 Lbs (2.2 Kg)
DUTY CYCLE: Continuous (See Temperature Rise Chart)
APPROVALS: N.S.F. Listed
TYPICAL APPLICATIONS: R.O. Booster Pump
BYPASS: 80 PSI

DIMENSIONS:

Note: Excluded in the dimensions are fittings on the ports.

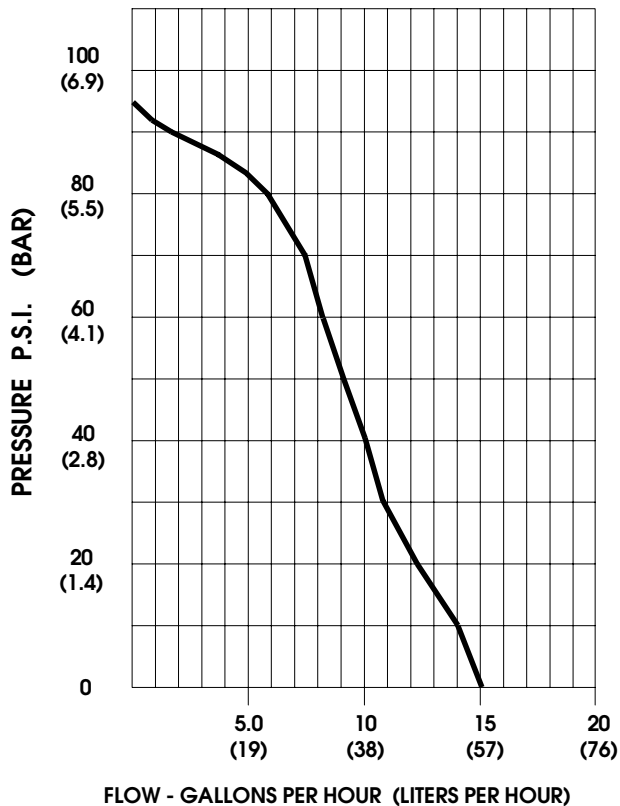


TEMPERATURE RISE



THIS GRAPH IS FOR USE AS A DESIGN GUIDE. IT IS BASED ON RUNNING CONTINUOUSLY WITH AN AMBIENT TEMPERATURE OF 70° F IN STILL AIR.

TYPICAL PERFORMANCE



PRESSURE (PSI)	FLOW (GPH/LIT)	RPM MIN/MAX	CURRENT (AMPS)	VOLTAGE (VOLTS)
OPEN	15.0/57	475/500	0.15	24 VAC
10	14.0/53	445/470	0.19	"
20	12.3/47	405/430	0.24	"
30	10.9/41	390/405	0.29	"
40	10.0/38	360/375	0.33	"
50	9.1/34	315/340	0.38	"
60	8.3/31	310/320	0.41	"
70	7.5/28	290/300	0.46	"
80	5.7/22	260/275	0.50	"
90	1.9/7.2	245/250	0.54	"

*-SPECIFICATIONS SUBJECT TO CHANGE WITHOUT NOTICE.
-ALL DATA BASED ON TESTING WITH WATER.*