

SPECIFICATIONS:

MODEL NUMBER: 8006-543-250

PUMP DESIGN: Positive Displacement 3 Chamber Diaphragm Pump

CAM: 3.0 Degree

MOTOR: Permanent Magnet, P/N 11-111-07

VOLTAGE: 12 VDC Nominal

PRESSURE SWITCH: None

LIQUID TEMPERATURE: 170 Degrees Fahrenheit (77 Degrees Centigrade) Max.

PRIME: Self-Priming Up To 11 Ft. Vertical,
Max. Inlet Pressure 30 PSI (2.1 Bar)

PORTS: 3/8"-18 NPT Female

MATERIAL OF CONSTRUCTION:

PLASTICS- Polypropylene

VALVES- Viton

DIAPHRAGM- Santoprene

FASTENERS- Zinc Plated Steel

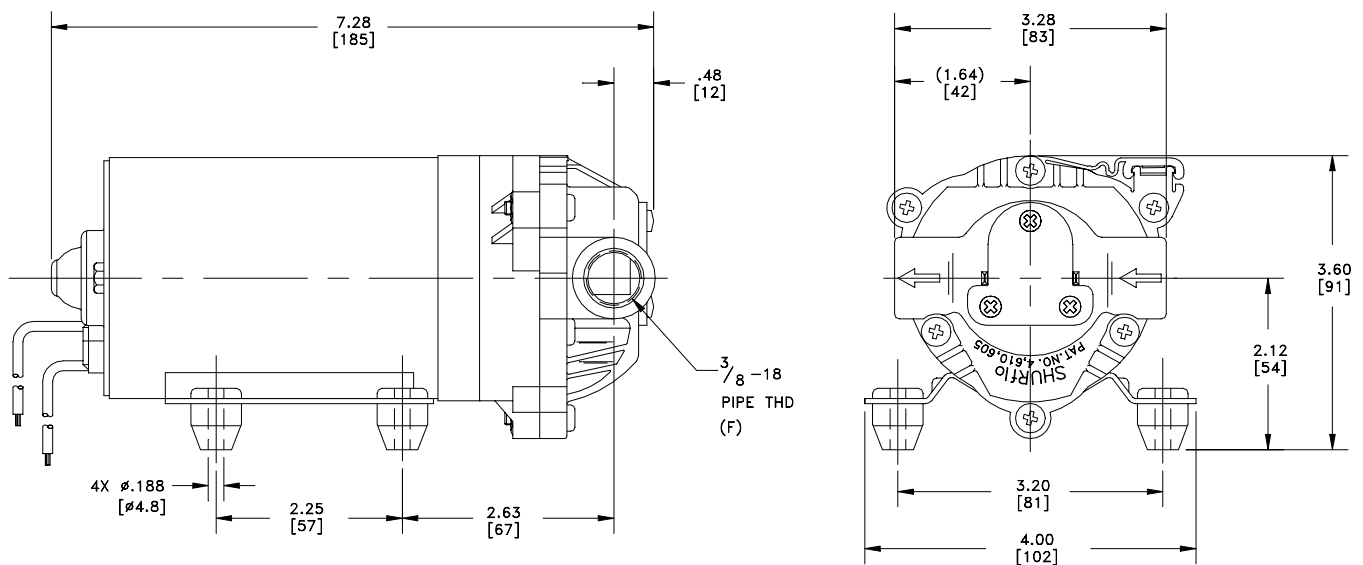
NET WEIGHT: 4.0 Lbs (1.8 Kg)

DUTY CYCLE: Continuous (See Temperature Rise Chart)

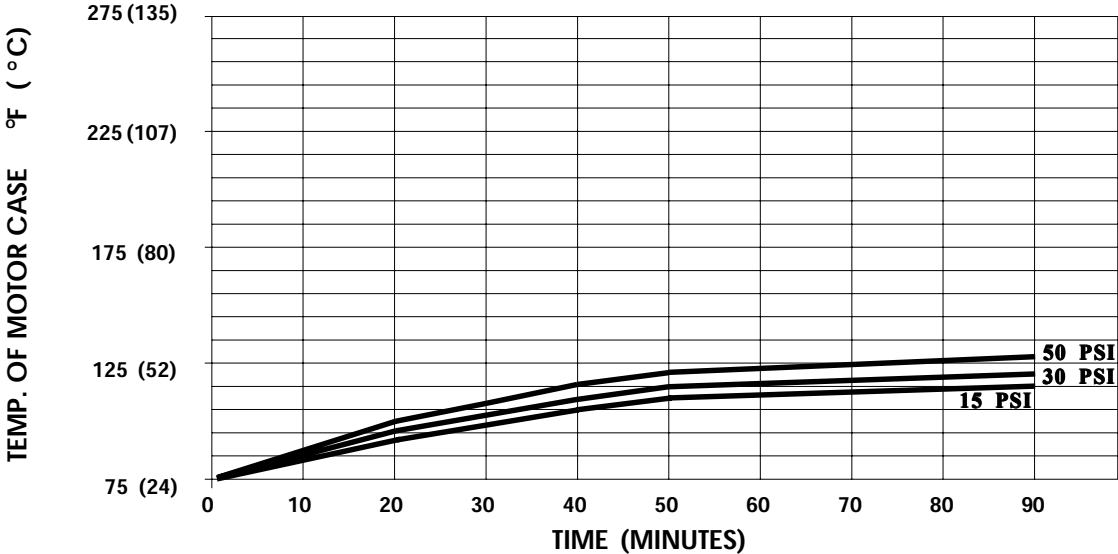
TYPICAL APPLICATIONS: Agricultural Spraying

BYPASS: 45 PSI

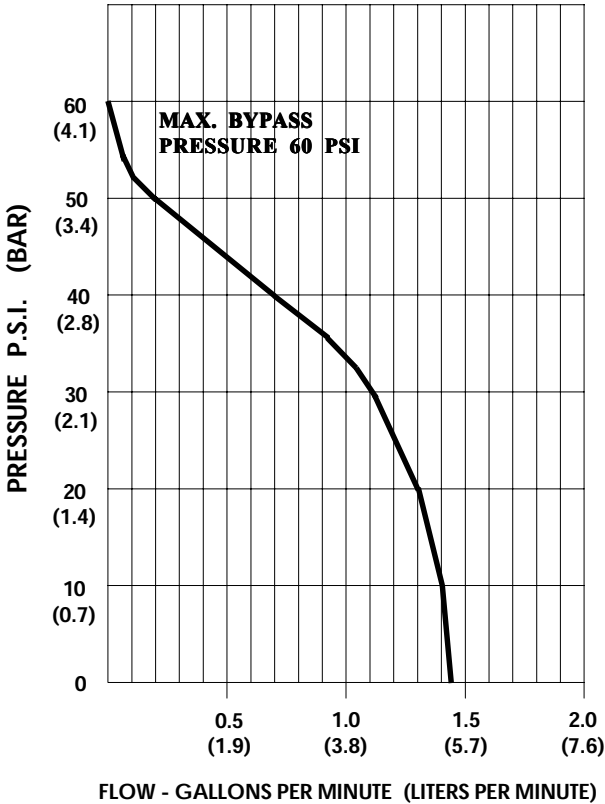
DIMENSIONS:



TEMPERATURE RISE



TYPICAL PERFORMANCE



PRESSURE (PSI)	FLOW (GPM/LIT)	RPM MIN/MAX	CURRENT (AMPS)	VOLTAGE (VOLTS)
OPEN	1.42/5.4	2290/2345	3.0	12 VDC
10	1.40/5.3	2275/2335	3.4	"
20	1.30/4.9	2230/2300	4.0	"
30	1.11/4.2	2190/2255	4.7	"
40	0.69/2.6	2165/2230	5.2	"
50	0.18/0.7	2140/2200	5.5	"

*-SPECIFICATIONS SUBJECT TO CHANGE WITHOUT NOTICE.
 -ALL DATA BASED ON TESTING WITH WATER AT AMBIENT TEMPERATURE.*