

SPECIFICATIONS:

MODEL NUMBER: 8005-952-898

PUMP DESIGN: Positive Displacement 3 Chamber Diaphragm Pump

CAM: 2.5 Degree

MOTOR: Permanent Magnet, P/N 11-147-14

VOLTAGE: 36VDC Nominal

PRESSURE SWITCH: None

LIQUID TEMPERATURE: 180 Degrees Fahrenheit (82 Degrees Centigrade) Max.

PORTS: 3/8"-18 NPT Female

MATERIAL OF CONSTRUCTION:

PLASTICS- Nylon

VALVES- EPDM

DIAPHRAGM- Santoprene

FASTENERS- Stainless Steel

NET WEIGHT: 4.6 Lbs (2.1 Kg)

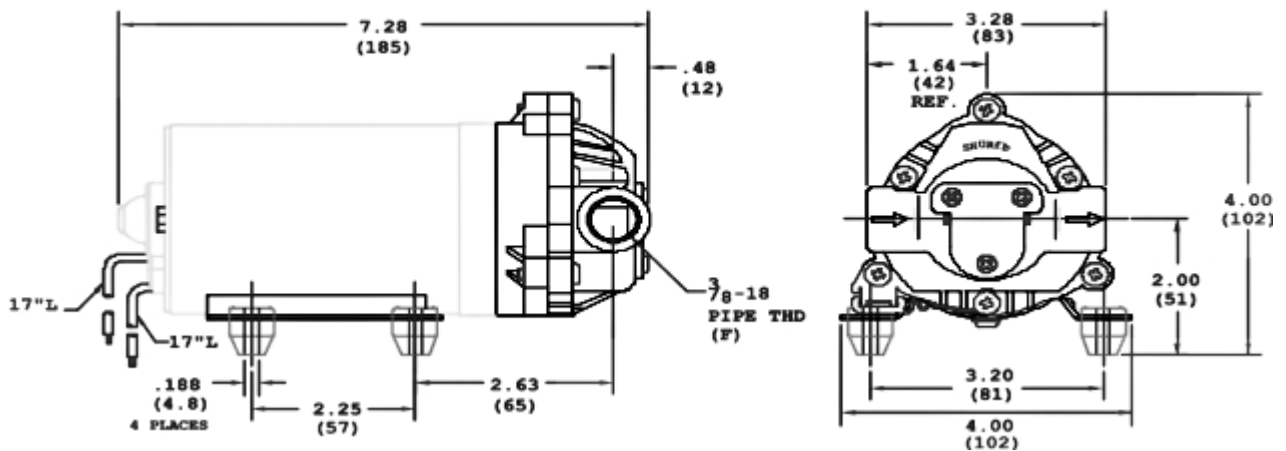
DUTY CYCLE: Continuous (See Temperature Rise Chart)

APPROVALS: NSF Listed

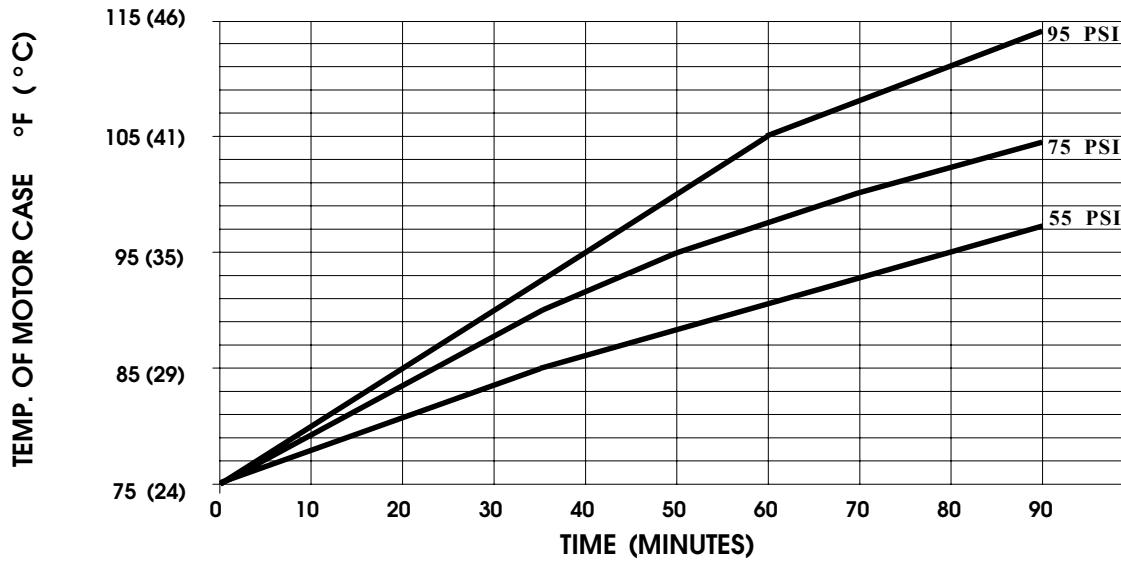
TYPICAL APPLICATIONS: R.O. Booster Pump

BYPASS: 100 PSI

DIMENSIONS:

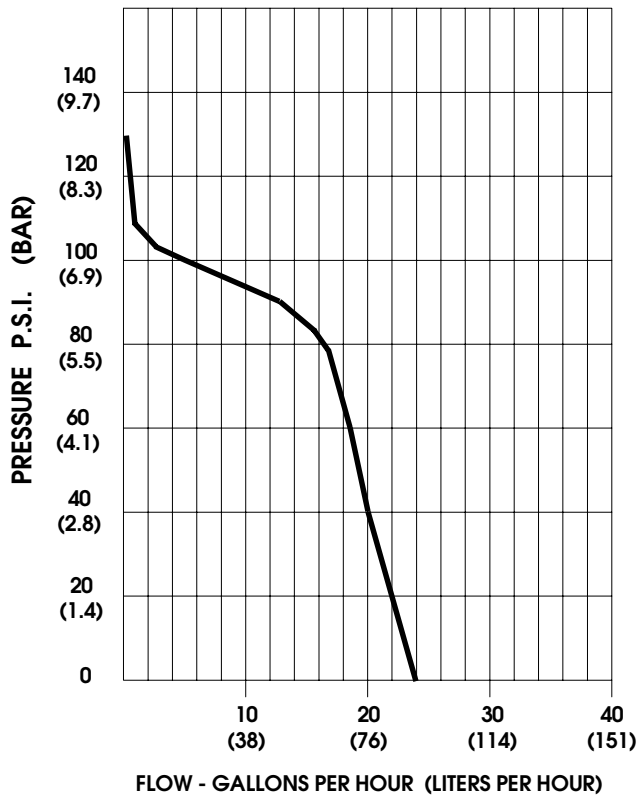


TEMPERATURE RISE



THIS GRAPH IS FOR USE AS A DESIGN GUIDE. IT IS BASED ON RUNNING CONTINUOUSLY WITH AN AMBIENT TEMPERATURE OF 75° F IN STILL AIR.

TYPICAL PERFORMANCE



PRESSURE (PSI)	FLOW (GPH/LIT)	RPM MIN/MAX	CURRENT (AMPS)	VOLTAGE (VOLTS)
OPEN	24.2/92	610/630	0.20	36 VDC
10	23.0/87	580/600	0.26	"
20	21.8/82	560/580	0.32	"
30	21.0/79	540/560	0.38	"
40	20.5/77	520/540	0.44	"
50	19.7/75	500/520	0.49	"
60	18.6/70	475/495	0.54	"
70	17.4/66	455/475	0.59	"
80	16.2/61	435/455	0.64	"
90	13.5/51	405/435	0.69	"
100	5.2/20	395/415	0.73	"

*-SPECIFICATIONS SUBJECT TO CHANGE WITHOUT NOTICE.
-ALL DATA BASED ON TESTING WITH WATER.*