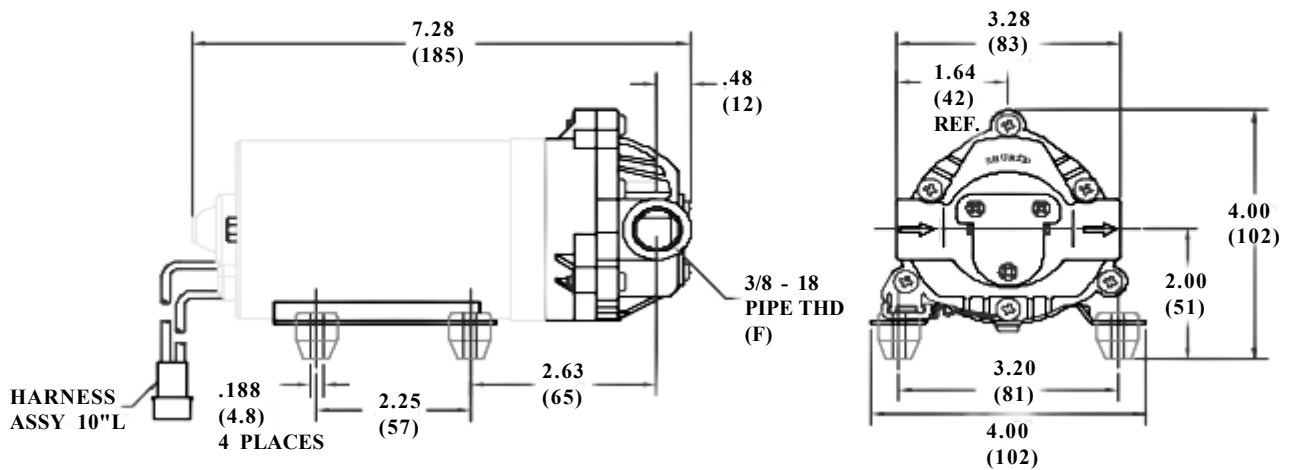


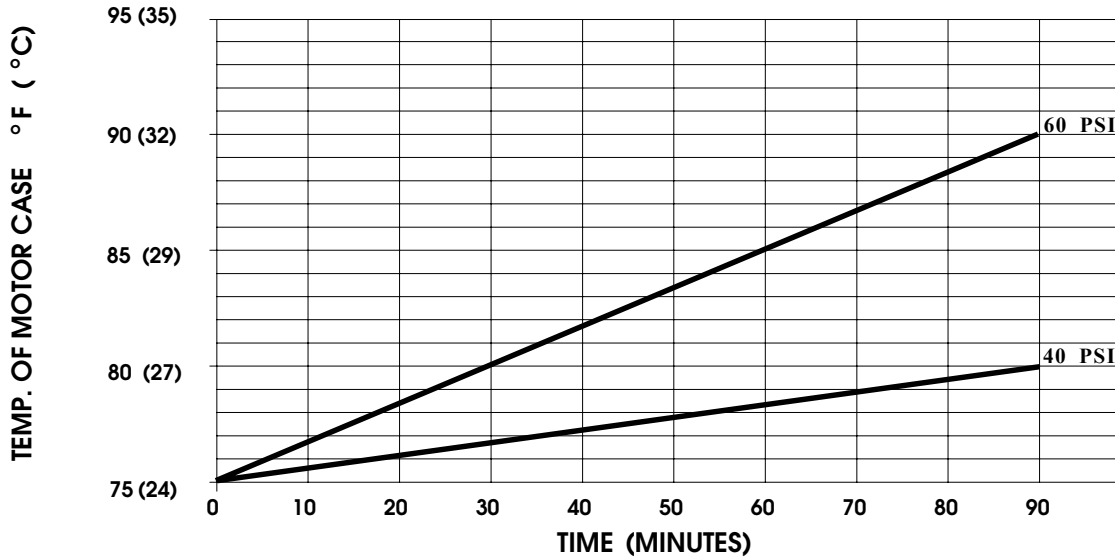
SPECIFICATIONS:

MODEL NUMBER: 8005-951-290
PUMP DESIGN: Positive Displacement 3 Chamber Diaphragm Pump
CAM: 2.0 Degree
MOTOR: Permanent Magnet, P/N 11-147-12
VOLTAGE: 24 VDC Nominal
PRESSURE SWITCH: None
LIQUID TEMPERATURE: 180 Degrees Fahrenheit (82 Degrees Centigrade) Max.
PORTS: 3/8"-18 NPT Female
MATERIAL OF CONSTRUCTION:
 PLASTICS- Nylon
 VALVES- EPDM
 DIAPHRAGM- Santoprene
 FASTENERS- Stainless Steel
NET WEIGHT: 4.8 Lbs (2.18 Kg)
DUTY CYCLE: Continuous (See Temperature Rise Chart)
APPROVALS: NSF Listed
TYPICAL APPLICATIONS: R.O. Booster Pump
BYPASS: 60 PSI

DIMENSIONS:

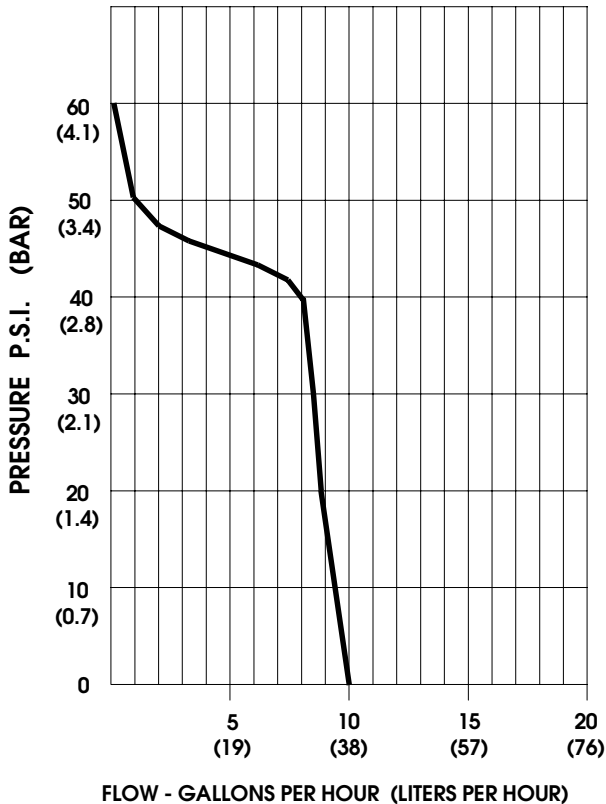


TEMPERATURE RISE



THIS GRAPH IS FOR USE AS A DESIGN GUIDE. IT IS BASED ON RUNNING CONTINUOUSLY WITH AN AMBIENT TEMPERATURE OF 70° F IN STILL AIR.

TYPICAL PERFORMANCE



PRESSURE (PSI)	FLOW (GPH/LIT)	RPM MIN/MAX	CURRENT (AMPS)	VOLTAGE (VOLTS)
OPEN	10.0/37.9	425/430	0.13	24 VDC
10	9.2/34.8	420/425	0.16	"
20	8.8/33.3	410/420	0.19	"
30	8.5/32.1	395/405	0.23	"
40	8.1/30.7	385/395	0.27	"
50	0.6/2.3	370/380	0.31	"
60	0.1/0.4	355/365	0.36	"

-SPECIFICATIONS SUBJECT TO CHANGE WITHOUT NOTICE.

-ALL DATA BASED ON TESTING WITH WATER AT AMBIENT TEMPERATURE.