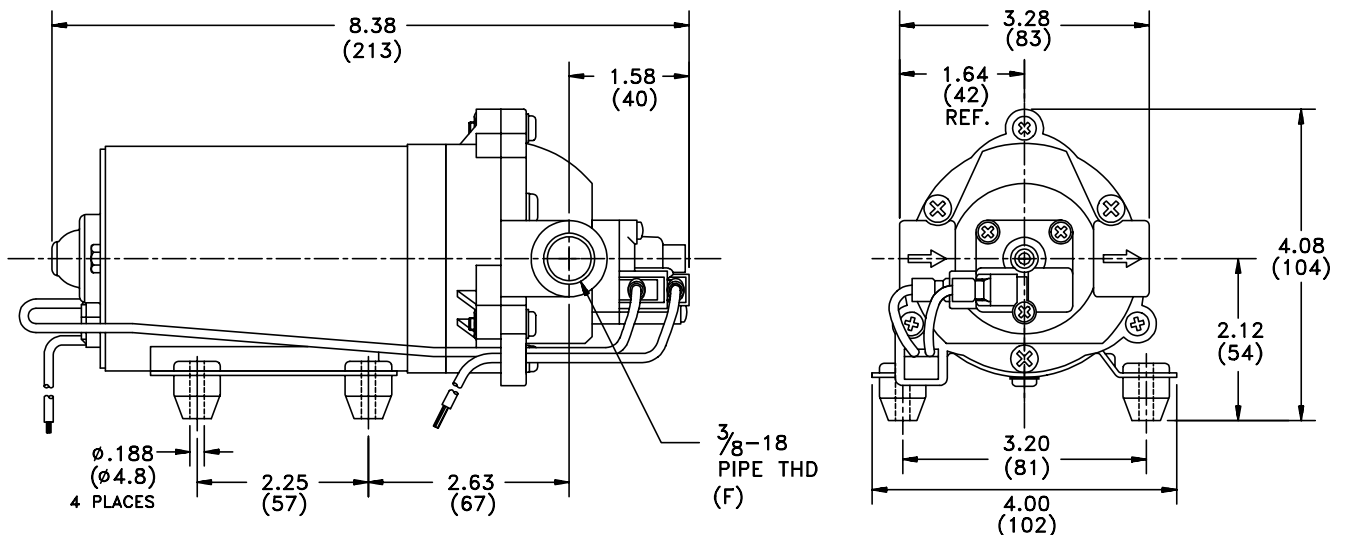


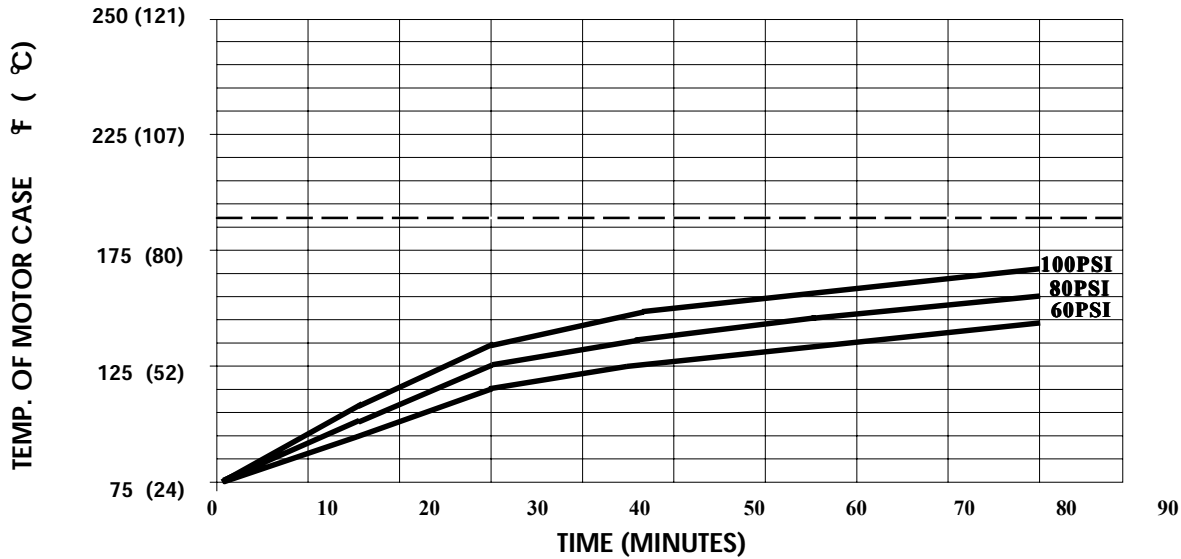
**SPECIFICATIONS:**

- MODEL NUMBER:** 8000-813-288
- PUMP DESIGN:** Positive Displacement 3 Chamber Diaphragm Pump
- CHECK VALVE:** (1-Way Operation) Prevents Reverse Flow
- CAM:** 3.0 Degree
- MOTOR:** Permanent Magnet, P/N 11-150-10, Thermally Protected
- VOLTAGE:** 115 VAC Nominal
- PRESSURE SWITCH:** Adjustable Shut-Off (Range 80-100 PSI)  
Factory Set @100 PSI, Turn On 85 PSI ±5 PSI
- LIQUID TEMPERATURE:** 180 Degrees Fahrenheit (82 Degrees Centigrade) Max.
- PRIME:** Self-Priming Up To 12.0 Ft. Vertical,  
Max. Inlet Pressure 30 PSI (2.1 Bar)
- PORTS:** 3/8"-18 NPT, Female
- MATERIAL OF CONSTRUCTION:**
  - PLASTICS-** Nylon
  - VALVES-** Viton
  - DIAPHRAGM-** Santoprene
  - FASTENERS-** Zinc Plated Steel
- NET WEIGHT:** 4.9 Lbs (2.2 Kg)
- DUTY CYCLE:** Intermittent (See Temperature Rise Chart)
- APPROVALS:** UL/CSA Recognized
- TYPICAL APPLICATIONS:** Soil Extraction
- BYPASS:** 80 PSI

**DIMENSIONS:**



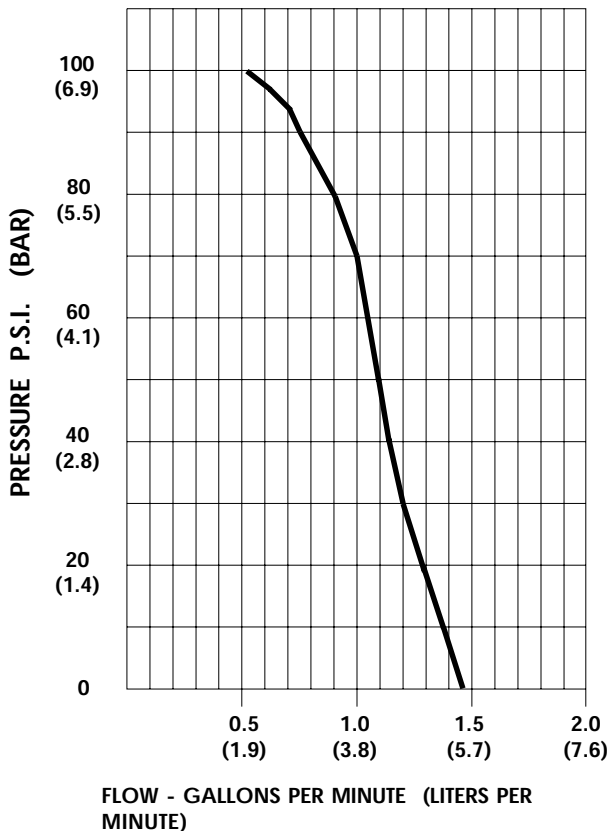
**TEMPERATURE RISE**



THIS GRAPH IS FOR USE AS A DESIGN GUIDE. IT IS BASED ON RUNNING CONTINUOUSLY WITH AN AMBIENT TEMPERATURE OF 70°F IN STILL AIR. THE THERMAL BREAKER WILL OPEN WHEN THE CASE TEMPERATURE REACHES 190°F.

[----- TRIP POINT OF THERMAL PROTECTOR]

**TYPICAL PERFORMANCE**



PRESSURE (PSI)	FLOW (GPM/LIT)	RPM MIN/MAX	CURRENT (AMPS)	VOLTAGE (VOLTS)
OPEN	1.45/5.5	2150/2190	0.32	115 VAC
10	1.38/5.2	2060/2110	0.37	"
20	1.29/4.9	1990/2020	0.43	"
30	1.22/4.6	1925/1940	0.48	"
40	1.16/4.4	1860/1875	0.53	"
50	1.10/4.2	1810/1815	0.58	"
60	1.05/4.0	1770/1760	0.63	"
70	0.97/3.7	1715/1725	0.68	"
80	0.90/3.4	1655/1685	0.73	"
90	0.75/2.8	1615/1630	0.76	"
100	0.50/1.9	1575/1590	0.82	"

*-SPECIFICATIONS SUBJECT TO CHANGE WITHOUT NOTICE.*

*-ALL DATA BASED ON TESTING WITH WATER AT AMBIENT TEMPERATURE.*