

### SPECIFICATIONS:

**MODEL NUMBER:** 8000-811-288

**PUMP DESIGN:** Positive Displacement 3 Chamber Diaphragm Pump

**CHECK VALVE:** (2-Way Op.) Prevents Reverse Flow and 6 Ft. Head Forward Flow

**CAM:** 2.0 Degree

**MOTOR:** Permanent Magnet, P/N 11-150-10, Thermally Protected

**VOLTAGE:** 115 VAC Nominal

**PRESSURE SWITCH:** Adjustable Shut-Off (Range 80-100 PSI)

Factory Set @100 PSI, Turn On 85 PSI +/- 5 PSI

**LIQUID TEMPERATURE:** 180 Degrees Fahrenheit (82 Degrees Centigrade) Max.

**PRIME:** Self-Priming Up To 7.0 Ft. Vertical,  
Max. Inlet Pressure 30 PSI (2.1 Bar)

**PORTS:** 3/8"-18 NPT, Female

**MATERIAL OF CONSTRUCTION:**

**PLASTICS-** Nylon

**VALVES-** Viton

**DIAPHRAGM-** Viton (Switch), Santoprene (Main)

**FASTENERS-** Zinc Plated Steel

**NET WEIGHT:** 4.9 Lbs (2.2 Kg)

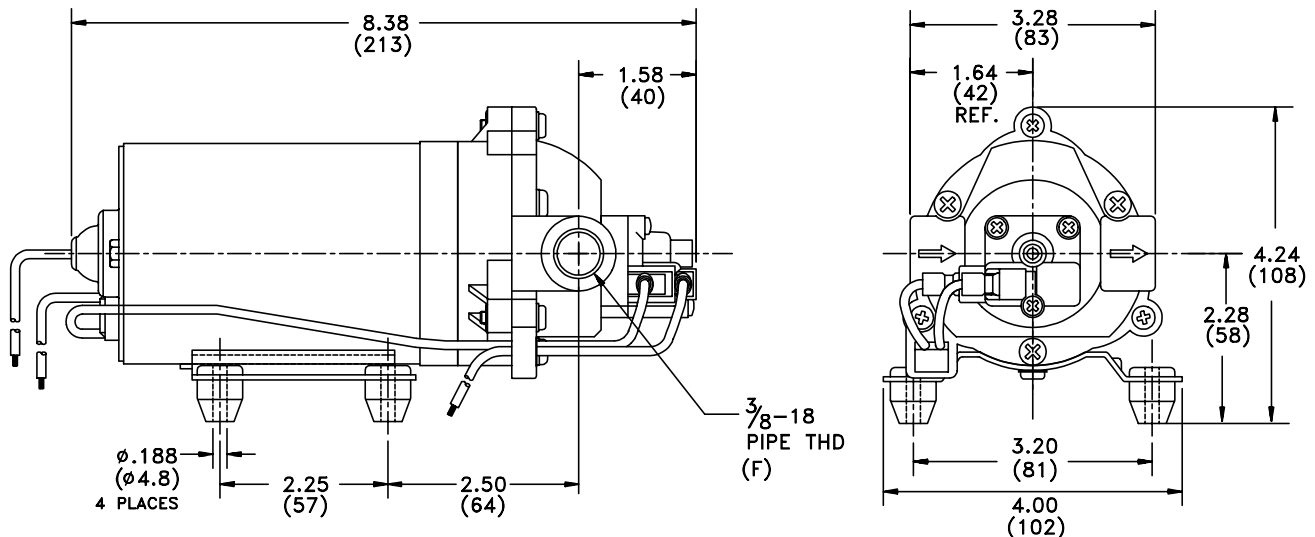
**DUTY CYCLE:** Intermittent (See Temperature Rise Chart)

**APPROVALS:** UL/CSA Recognized

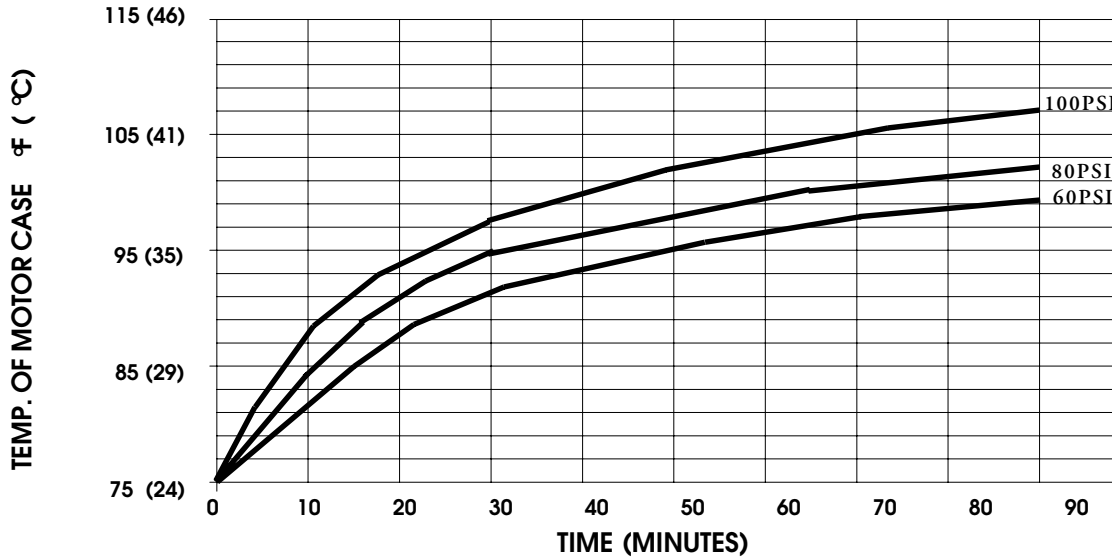
**TYPICAL APPLICATIONS:** Soil Extraction

**BYPASS:** 80 PSI

### DIMENSIONS:

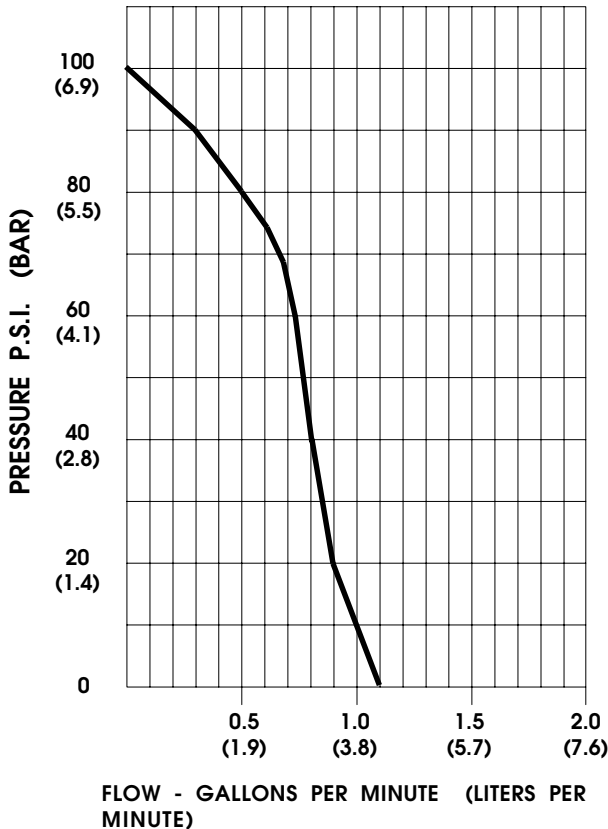


### TEMPERATURE RISE



THIS GRAPH IS FOR USE AS A DESIGN GUIDE. IT IS BASED ON RUNNING CONTINUOUSLY WITH AN AMBIENT TEMPERATURE OF 70°F IN STILL AIR. THE THERMAL BREAKER WILL OPEN WHEN THE CASE TEMPERATURE REACHES 190° F.

### TYPICAL PERFORMANCE



PRESSURE (PSI)	FLOW (GPM/LIT)	RPM MIN/MAX	CURRENT (AMPS)	VOLTAGE (VOLTS)
OPEN	1.10/4.2	2217/2260	0.28	115 VAC
10	0.95/3.6	2200/2215	0.30	"
20	0.90/3.4	2130/2165	0.34	"
30	0.88/3.3	2090/2125	0.38	"
40	0.83/3.1	2045/2090	0.42	"
50	0.78/2.9	2015/2045	0.46	"
60	0.75/2.8	1975/1995	0.49	"
70	0.69/2.6	1935/1950	0.53	"
80	0.53/2.0	1900/1910	0.56	"
90	0.47/1.8	1875/1885	0.59	"
100	0.26/1.0	1845/1860	0.60	"

-SPECIFICATIONS SUBJECT TO CHANGE WITHOUT NOTICE.

-ALL DATA BASED ON TESTING WITH WATER AT AMBIENT TEMPERATURE.