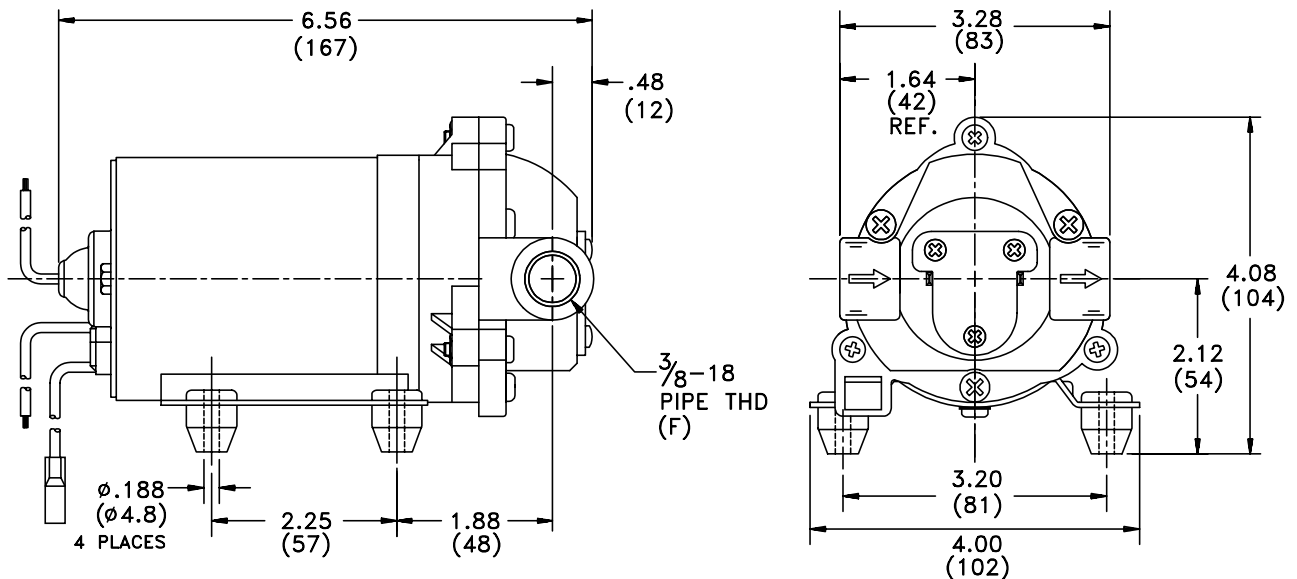


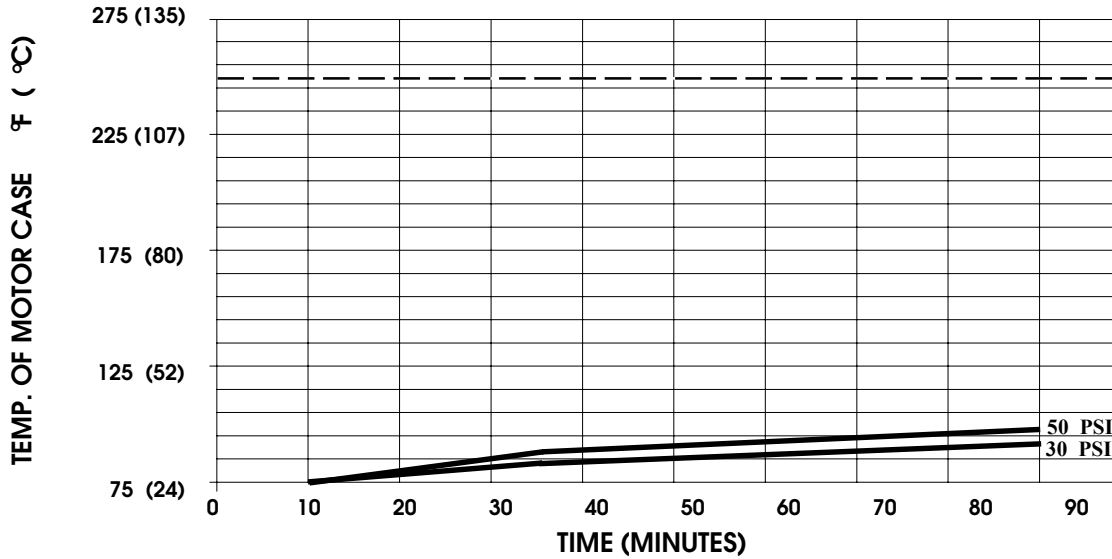
SPECIFICATIONS:

- MODEL NUMBER:** 8000-591-250
- PUMP DESIGN:** Positive Displacement 3 Chamber Diaphragm Pump
- CAM:** 2.0 Degree
- MOTOR:** Permanent Magnet, P/N 11-160-00, Thermally Protected
- VOLTAGE:** 230 VAC Nominal
- PRESSURE SWITCH:** None
- LIQUID TEMPERATURE:** 180 Degrees Fahrenheit (82 Degrees Centigrade) Max.
- PRIME:** Self-Priming Up To 7.0 Ft. Vertical,
Max. Inlet Pressure 30 PSI (2.1 Bar)
- PORTS:** 3/8"-18 NPT Female
- MATERIAL OF CONSTRUCTION:**
 - PLASTICS-** Nylon
 - VALVES-** Viton
 - DIAPHRAGM-** Santoprene
 - FASTENERS-** Zinc Plated Steel
- NET WEIGHT:** 3.85 Lbs (1.75 Kg)
- DUTY CYCLE:** Intermittent (See Temperature Rise Chart)
- TYPICAL APPLICATIONS:** Soil Extraction
- BYPASS:** 60 PSI Max.

DIMENSIONS:



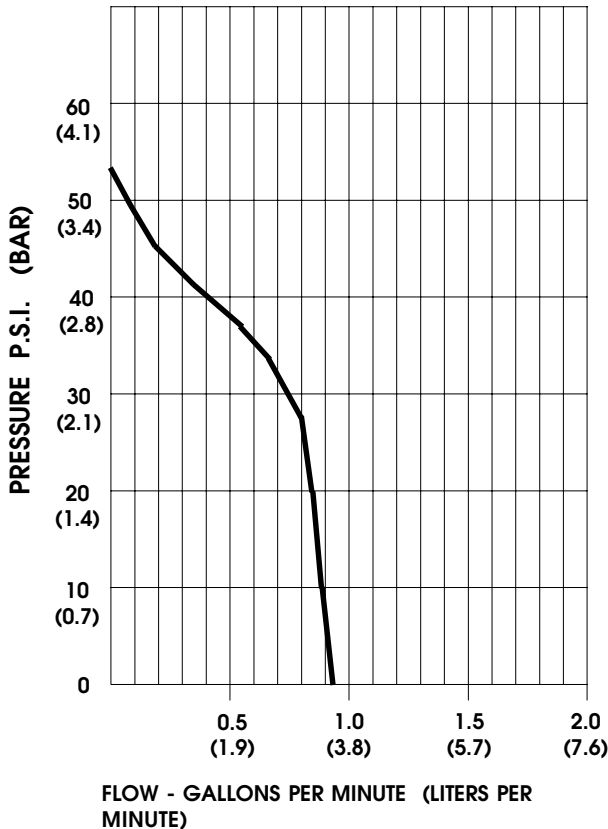
TEMPERATURE RISE



THIS GRAPH IS FOR USE AS A DESIGN GUIDE. IT IS BASED ON RUNNING CONTINUOUSLY WITH AN AMBIENT TEMPERATURE OF 70° F IN STILL AIR. THE THERMAL BREAKER WILL OPEN WHEN THE CASE TEMPERATURE REACHES 250° F.

[----- TRIP POINT OF THERMAL PROTECTOR]

TYPICAL PERFORMANCE



PRESSURE (PSI)	FLOW (GPM/LIT)	RPM MIN/MAX	CURRENT (AMPS)	VOLTAGE (VOLTS)
OPEN	0.93/3.5	2250/2405	0.11	230VAC
10	0.86/3.2	2170/2325	0.12	"
20	0.83/3.1	2105/2235	0.14	"
30	0.71/2.7	2015/2160	0.16	"
40	0.28/1.1	1960/2075	0.17	"

*-SPECIFICATIONS SUBJECT TO CHANGE WITHOUT NOTICE.
-ALL DATA BASED ON TESTING WITH WATER.*