

**SPECIFICATIONS:**

**MODEL NUMBER:** 8000-543-296

**PUMP DESIGN:** Positive Displacement 3 Chamber Diaphragm Pump

**CAM:** 3.0 Degree

**MOTOR:** Permanent Magnet, P/N 11-111-00

**VOLTAGE:** 12 VDC Nominal

**PRESSURE SWITCH:** Adjustable Shut-Off (Range 40-60 PSI)

Factory Set @ 60 PSI, Turn On 45 PSI  $\pm$  5 PSI

**LIQUID TEMPERATURE:** 170 Degrees Fahrenheit (77 Degrees Centigrade) Max.

**PRIME:** Self-Priming Up To 5 Ft. Vertical,  
Max. Inlet Pressure 30 PSI (2.1 Bar)

**PORTS:** 3/8"-18 NPT Female

**MATERIAL OF CONSTRUCTION:**

**PLASTICS-** Polypropylene

**VALVES-** Viton

**DIAPHRAGM-** Santoprene

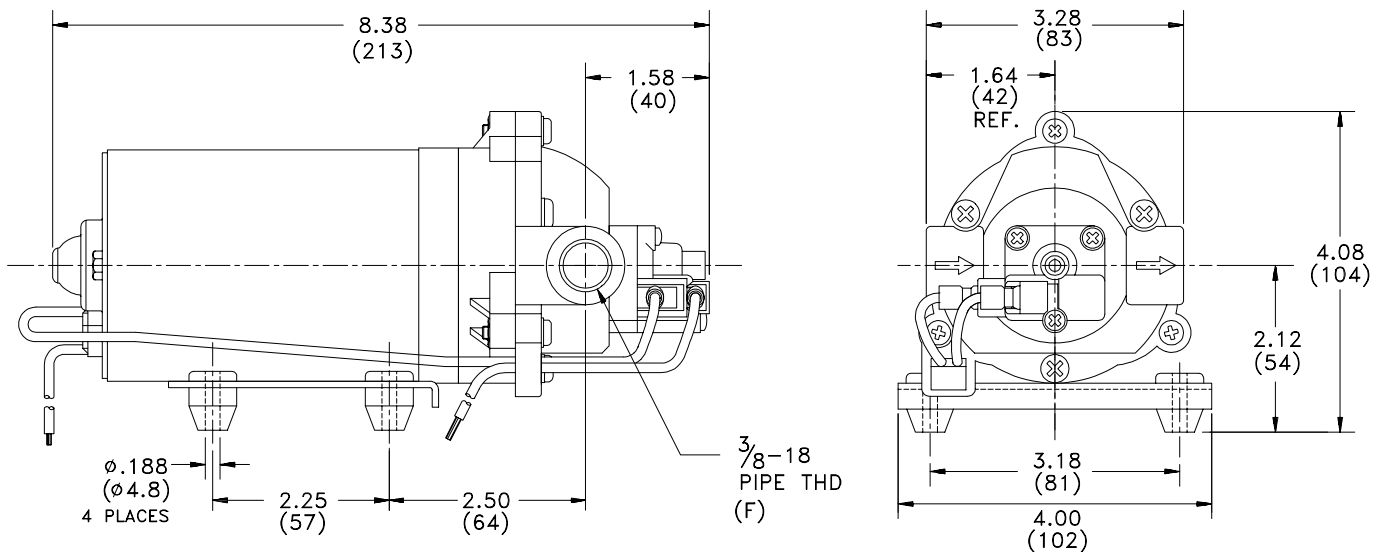
**FASTENERS-** Zinc Plated Steel

**NET WEIGHT:** 4.1 Lbs (1.9 Kg)

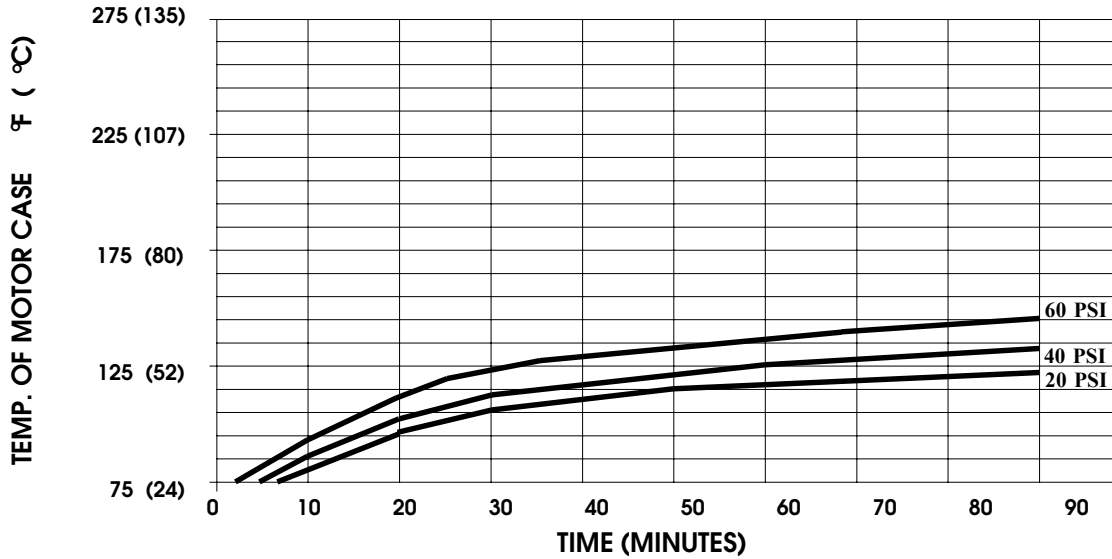
**DUTY CYCLE:** Continuous (See Temperature Rise Chart)

**TYPICAL APPLICATIONS:** Agricultural Spraying

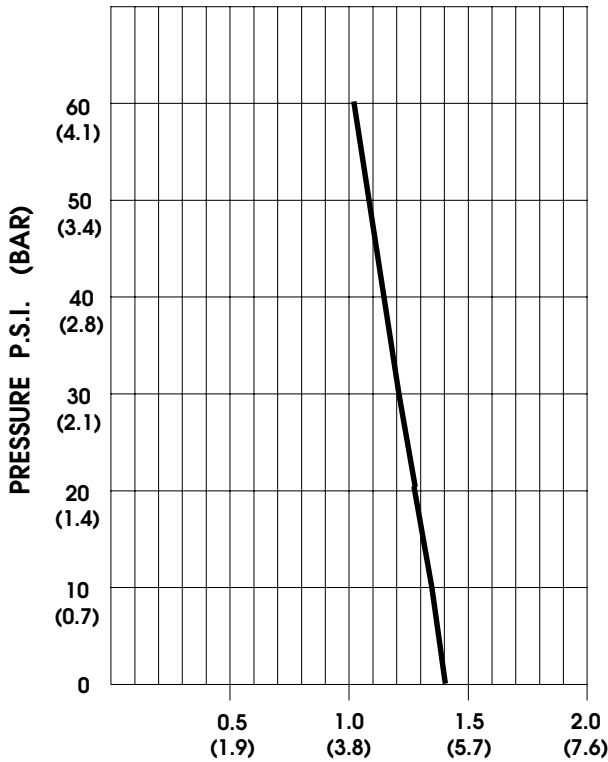
**DIMENSIONS:**



**TEMPERATURE RISE**



**TYPICAL PERFORMANCE**



PRESSURE (PSI)	FLOW (GPM/LIT)	RPM MIN/MAX	CURRENT (AMPS)	VOLTAGE (VOLTS)
OPEN	1.40/5.3	2300/2325	3.7	12VDC
10	1.31/4.9	2260/2290	4.4	"
20	1.26/4.7	2215/2240	5.0	"
30	1.20/4.5	2175/2190	5.7	"
40	1.14/4.3	2130/2145	6.2	"
50	1.08/4.1	2085/2095	6.8	"
60	1.02/3.9	2050/2065	7.3	"

FLOW - GALLONS PER MINUTE (LITERS PER MINUTE)

-SPECIFICATIONS SUBJECT TO CHANGE WITHOUT NOTICE.

-ALL DATA BASED ON TESTING WITH WATER AT AMBIENT TEMPERATURE.