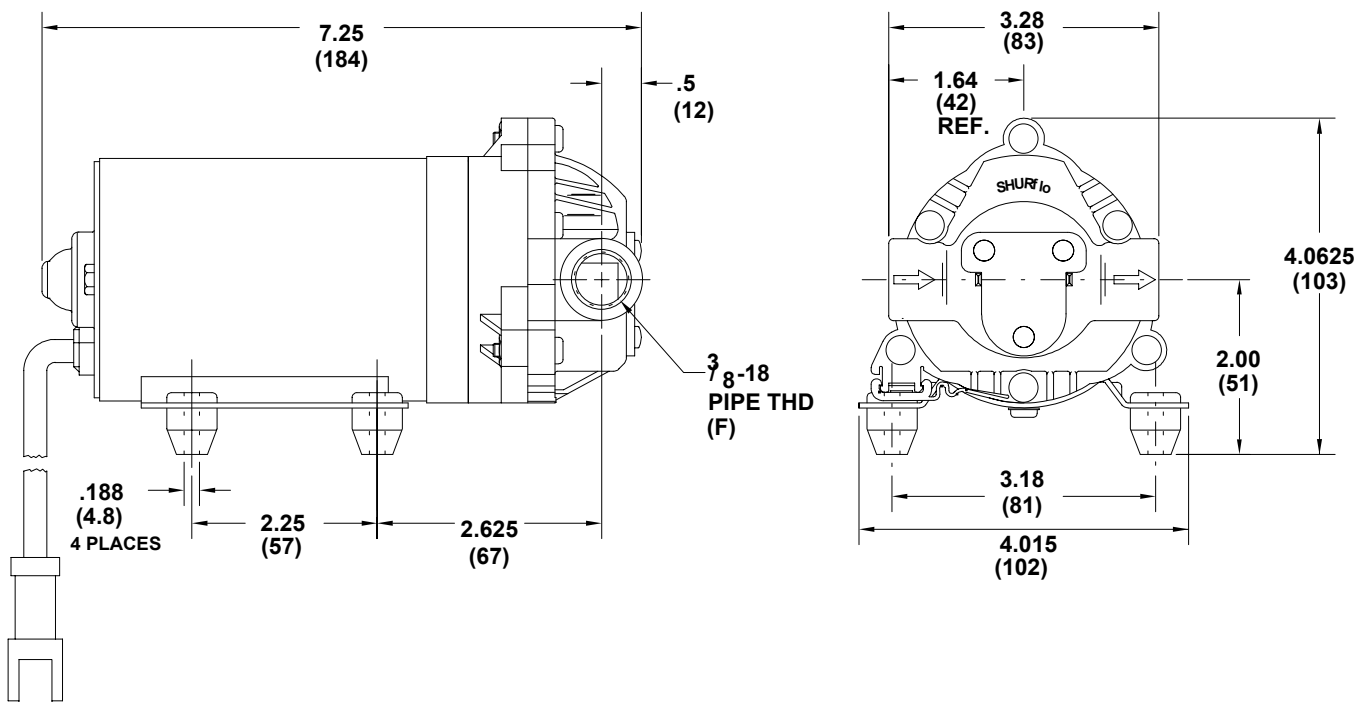


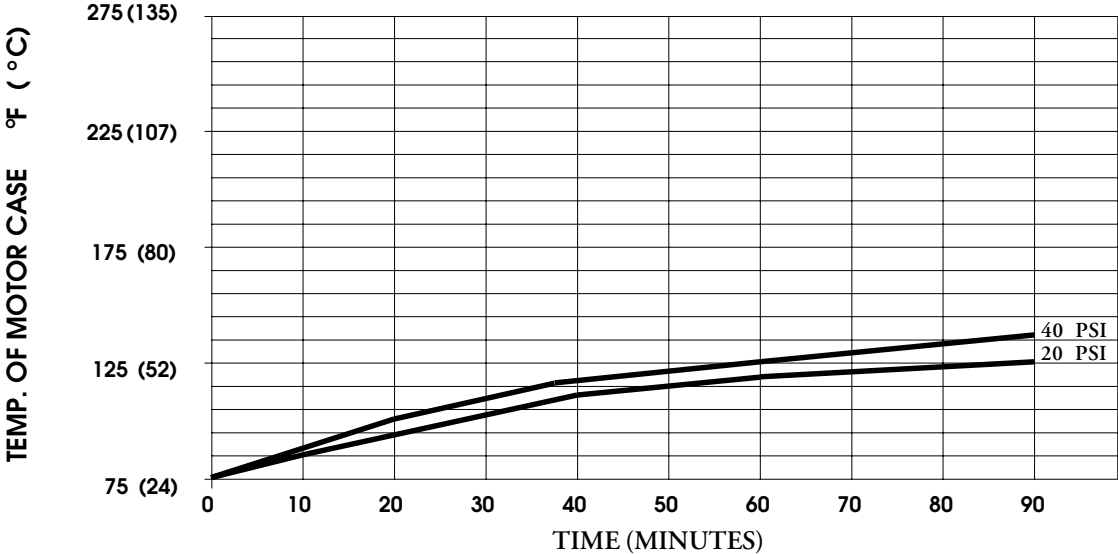
SPECIFICATIONS:

MODEL NUMBER: 8000-043-210
PUMP DESIGN: Positive Displacement 3 Chamber Diaphragm Pump
CAM: 3.0 Degree
MOTOR: Permanent Magnet, P/N 11-173-00
VOLTAGE: 12 VDC Nominal
PRESSURE SWITCH: None
LIQUID TEMPERATURE: 180 Degrees Fahrenheit (82 Degrees Centigrade) Max.
PRIME: Self-Priming Up To 12 Ft. Vertical,
 Max. Inlet Pressure 30 PSI (2.1 Bar)
PORTS: 3/8"-18 NPT Female
MATERIAL OF CONSTRUCTION:
 PLASTICS- Nylon
 VALVES- Viton
 DIAPHRAGM- Geolast (Main), Viton (Switch Chamber)
 FASTENERS- Zinc Plated Steel
NET WEIGHT: 4.77 Lbs (2.1 Kg)
DUTY CYCLE: Continuous (See Temperature Rise Chart)
TYPICAL APPLICATIONS: Road Roller Equipment
BYPASS: 35 PSI

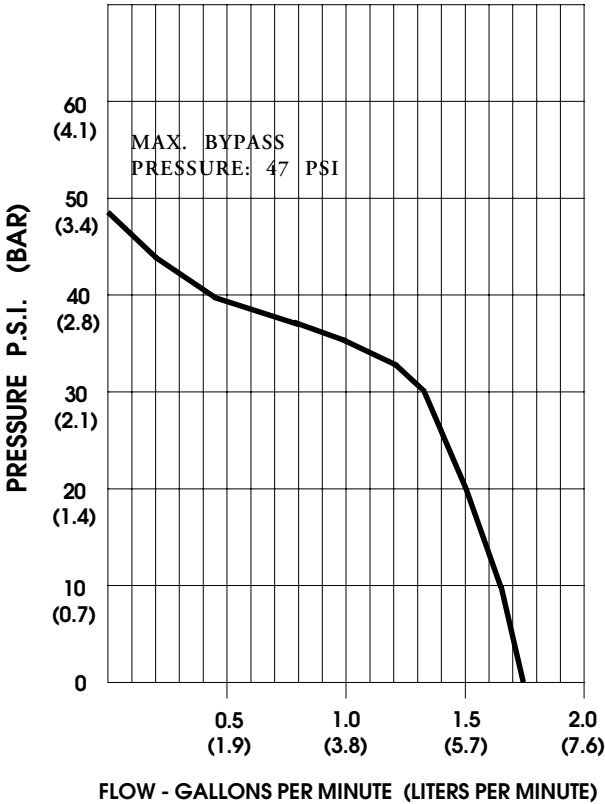
DIMENSIONS:



TEMPERATURE RISE



TYPICAL PERFORMANCE



PRESSURE (PSI)	FLOW (GPM/LIT)	RPM MIN/MAX	CURRENT (AMPS)	VOLTAGE (VOLTS)
OPEN	1.72/6.5	2170/2250	3.2	12 VDC
10	1.65/6.2	2120/2190	3.6	"
20	1.51/5.7	2035/2120	4.3	"
30	1.33/5.0	1980/2005	5.0	"
40	0.45/1.7	1920/1940	5.6	"

-SPECIFICATIONS SUBJECT TO CHANGE WITHOUT NOTICE.
 -ALL DATA BASED ON TESTING WITH WATER AT AMBIENT TEMPERATURE.