

SPECIFICATIONS:

MODEL NUMBER: 5904-0201

PUMP DESIGN: 5 Chamber Diaphragm

CAM: 3.5

MOTOR: Permanent Magnet, Intermittent Duty

MOTOR PROTECTION: Thermal Overload, Automatic Restart

VOLTAGE: 12VDC

SHUT-OFF: Voltage Variant, Factory Set @ 60 PSI [3.1 Bar] \pm 5 PSI [0.4 Bar]

LIQUID TEMPERATURE: 130 F [54 C] Max

PRIME: 6 Feet [2.7 M]

PORTS: Quick Connect

MATERIAL OF CONSTRUCTION:

PLASTICS- Nylon

VALVES- EPDM

DIAPHRAGM- Santoprene

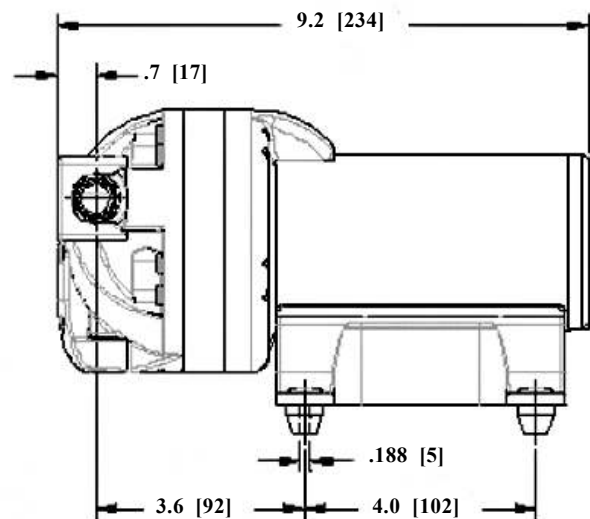
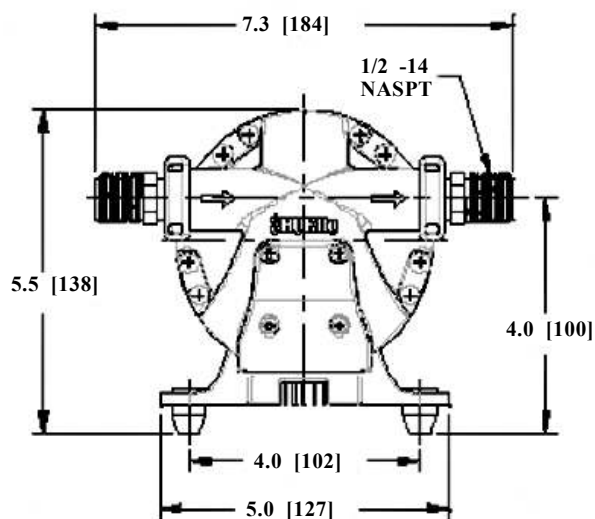
FASTENERS- Stainless Steel

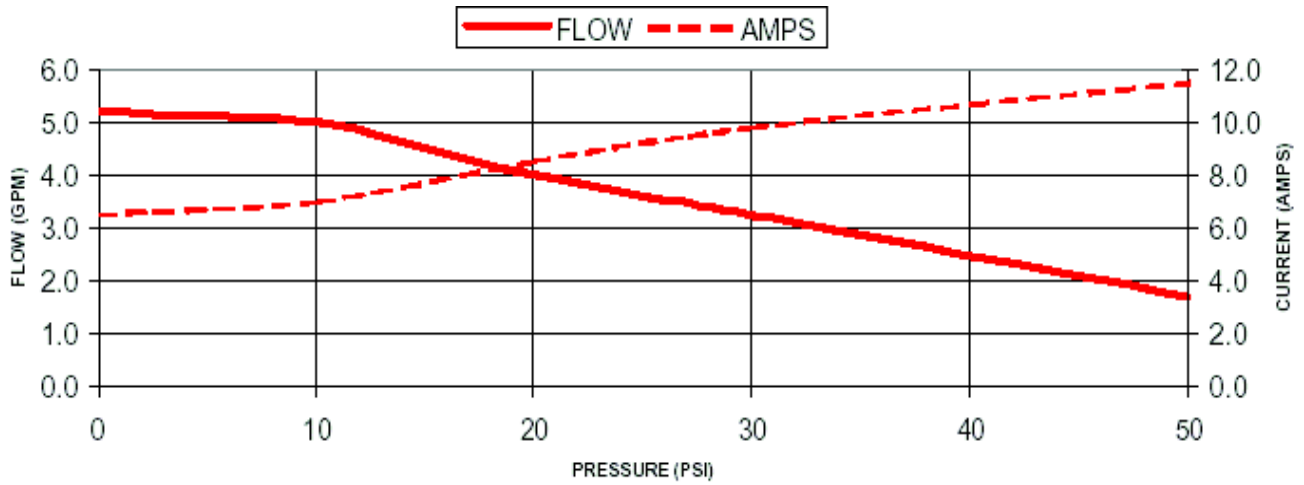
NET WEIGHT: 8.5 Lbs.

DUTY CYCLE: Intermittent

TYPICAL APPLICATIONS: Solar

DIMENSIONS:





TYPICAL PERFORMANCE @ 12V DC

PRESSURE		FLOW		CURRENT
BAR	PSI	GPM	LPM	AMPS
0.0	0	5.20	19.7	6.50
0.7	10	5.00	19.0	7.00
1.4	20	4.00	15.0	8.50
2.1	30	3.25	12.3	9.80
3.5	50	1.70	6.40	11.5

-SPECIFICATIONS SUBJECT TO CHANGE WITHOUT NOTICE.

-ALL DATA BASED ON TESTING WITH WATER AT AMBIENT TEMPERATURE.