

# ~~Extreme~~ Series



## MARINE PRODUCT DATA SHEET

OEM: 5901-4202  
AFTERMARKET: 5901-4212

The Extreme Pro Blaster delivers over 5 GPM and pressure up to 45 psi, giving you the ultimate in washdown capabilities. This high volume pump will clean your deck quickly and easily. The corrosion resistant coated seamless motor shell with sealed switch provides excellent protection against the harsh marine environment. The Extreme Pro Blaster is designed for the toughest washdown applications.

### TYPICAL APPLICATIONS

Marine washdown installations. Other uses may included 32V DC pressurized water systems in cabins This pump may be used for general water transfer. For other applications, contact SHURflo.

### PUMP

Type: 5 Chamber Diaphragm  
Ports: Quick Connect Fittings.  
Liquid: 130 °F [54 °C] Max  
Prime: 6 feet [1.82 M]  
Inlet PSI: 30 PSI [2.1 Bar] Max  
Run Dry: Yes

### ELECTRICAL

Motor: 32VDC Permanent Magnet, Intermittent Duty  
Protection: Thermal Overload, Automatic Restart  
Leads: 14 AWG, 16" [40 cm] Red +, 13" [33 cm] Black -  
Fuse: 7.5 Amp Recommended  
Control: Adjustable Switch. Shut-Off 45 PSI [3.1 Bar] ± 5 PSI [0.4 Bar]  
Restart 25 PSI [1.8 Bar] ± 5 PSI [0.4 Bar]

### MATERIALS

Housing: Nylon  
Valves: EPDM  
Diaphragm: Santoprene  
Hardware: Stainless Steel

### APPROVALS

Ignition Protected, CE, ISO 8846

### WARRANTY

3 Year Limited Warranty  
See SB-1041 & SB-1050 For Full Warranty Details

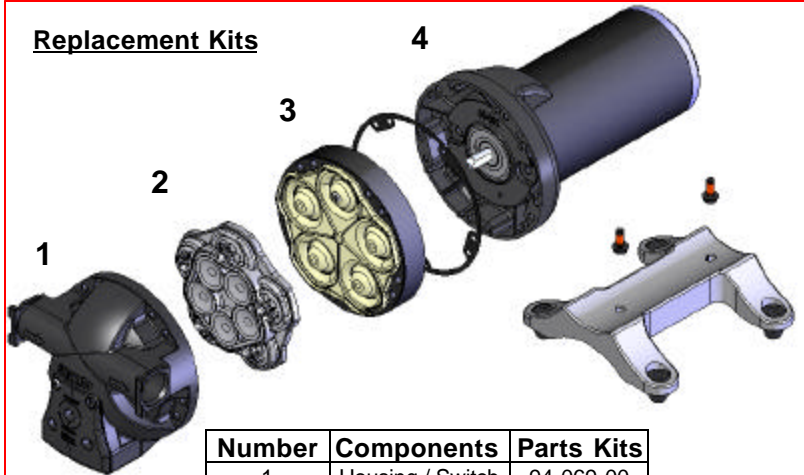
### SHIPPING

Net Weight (Boxed): 8.5 Lb [3.9Kg] each  
Carton Weight: 6 each, 51 Lb [24 Kg]  
Carton Size: 25"L x 19"W x 8"H  
[63cm x 49cm x 21cm]

### RELATED DOCUMENTS

Catalog: MS-030-140  
Installation Manual: 911-622  
Maintenance: 911-622  
Applications Spec Guide: MS-020-005  
Warranty: SB-1050

### Replacement Kits

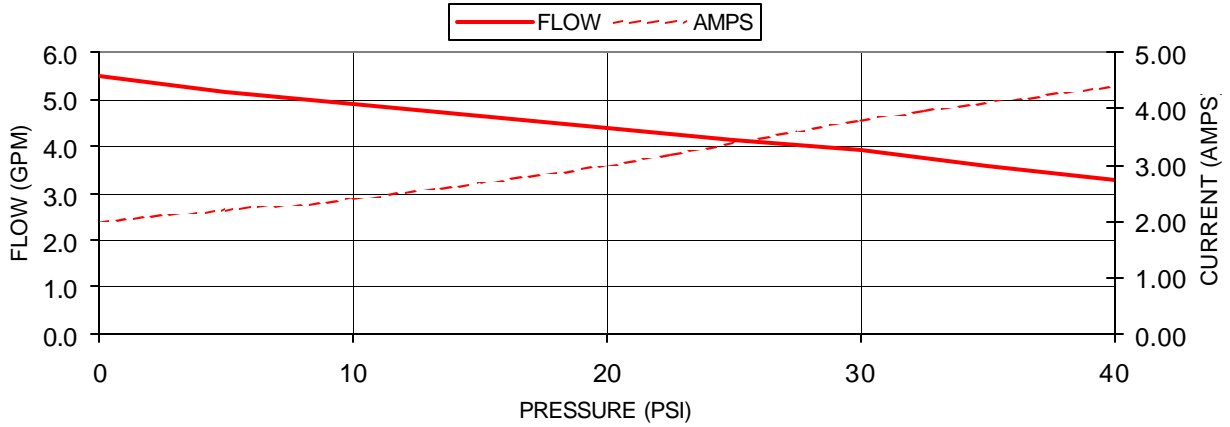


Number	Components	Parts Kits
1	Housing / Switch	94-069-00
2	Valve Assembly	94-030-01
3	Drive Assembly	94-030-02
4	Motor	77-010-17

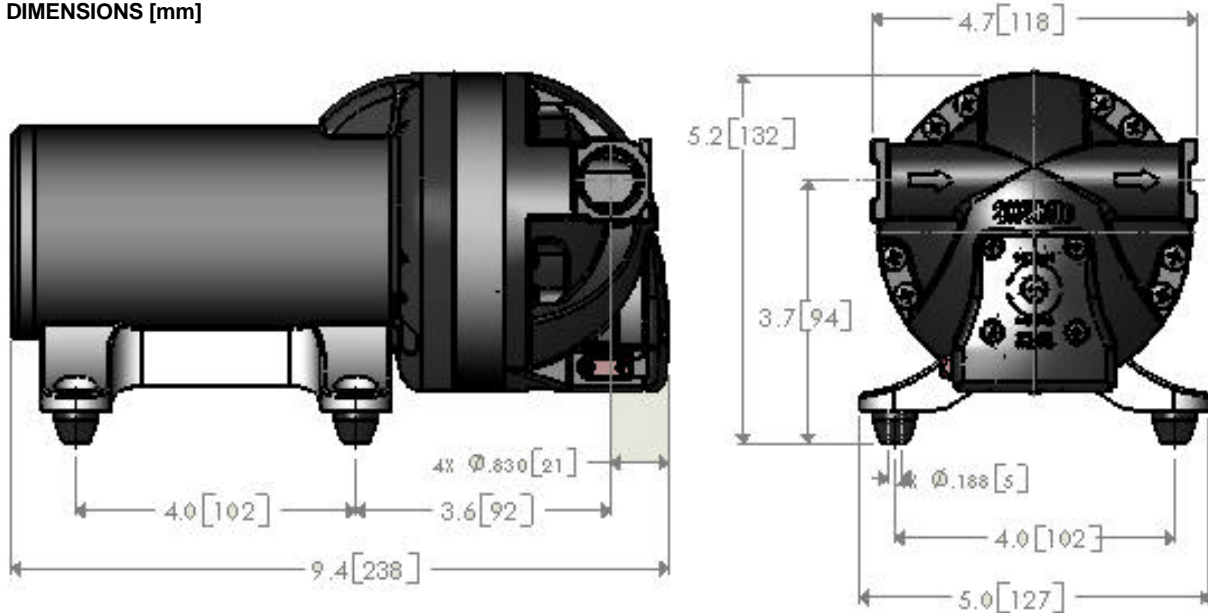


PERFORMANCE @ 32V DC

PRESSURE		FLOW		CURRENT
BAR	PSI	GPM	LPM	AMPS
0.0	0	5.5	20.8	2.0
0.7	10	4.9	18.5	2.4
1.4	20	4.4	16.6	3.0
2.1	30	3.9	14.7	3.8
2.8	40	3.3	12.4	4.4



DIMENSIONS [mm]



\*ISO Registered Facility SHURflo reserves the right to update specifications, prices, or make substitutions.

SHURflo \*  
 5900A Katella Ave.  
 Cypress, Ca. 90630  
 (800) 854-3218 (562) 795-5200  
 FAX (562) 795-7554  
 Shipping/UPS: 5900C Katella Ave.  
 Cypress, Ca. 90630

SHURflo East  
 52748 Park Six Court  
 Elkhart, IN 46514-5427  
 (800) 762-809 (574) 262-0478  
 FAX (574) 264-2169  
 Http://www.shurflo.com  
 ©2001

SHURflo Ltd. \*  
 Unit 5 Sterling Park  
 Gatwick Road, Crawley  
 West Sussex, RH10 2QT  
 United Kingdom  
 +44 1293 424000  
 FAX +44 1293 421880

