

# ~~X~~ Extreme™ Series



## MARINE PRODUCT DATA SHEET

**OEM: 5901-1201**  
**AFTERMARKET: 5901-1211**

The Smart Sensor 5.7 is designed specifically for cruisers and midsize yachts. Delivering over 5 GPM and pressure up to 60 PSI, this micro-controller based variable speed pump precisely monitors your system's water pressure and adjusts the motor speed, eliminating the need for an accumulator tank.

### TYPICAL APPLICATIONS

Multi-fixture marine fresh water installations. Other uses may included 24V DC pressurized water systems in cabins This pump may be used for general water transfer. For other applications, contact SHURflo.

### PUMP

Type: 5 Chamber Diaphragm  
 Ports: Quick Connect Fittings.  
 Liquid: 130 °F [54 °C] Max  
 Prime: 6 feet [1.82 M]  
 Inlet PSI: 30 PSI [2.1 Bar] Max  
 Run Dry:: Yes

### ELECTRICAL

Motor: 24VDC Permanent Magnet, Intermittent Duty  
 Protection: Thermal Overload, Automatic Restart  
 Leads: 16 AWG, 16" [40 cm] Red +, 13" [33 cm] Black -  
 Fuse: 7.5 Amp Recommended  
 Control: Shut-Off 60 PSI [3.1 Bar] ± 5 PSI [0.4 Bar]  
 Restart 30 PSI [1.8 Bar] ± 5 PSI [0.4 Bar]

### MATERIALS

Housing: Nylon  
 Valves: EPDM  
 Diaphragm: Santoprene  
 Hardware: Stainless Steel

### APPROVALS

Ignition Protected, CE, ISO 8846

### WARRANTY

3 Year Limited Warranty  
 See SB-1041 & SB-1050 For Full Warranty Details

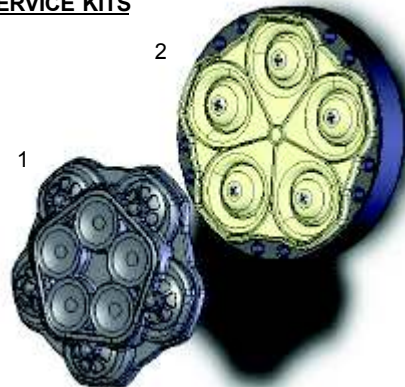
### SHIPPING

Net Weight (Boxed): 8.5 Lb [3.9Kg] each  
 Carton Weight: 6 each, 51 Lb [24 Kg]  
 Carton Size: 25"L x 19"W x 8"H  
 [63cm x 49cm x 21cm]

### RELATED DOCUMENTS

Catalog: MS-030-140  
 Installation Manual: 911-621  
 Maintenance: 911-621  
 Applications Spec Guide: MS-020-005  
 Warranty: SB-1050

### SERVICE KITS

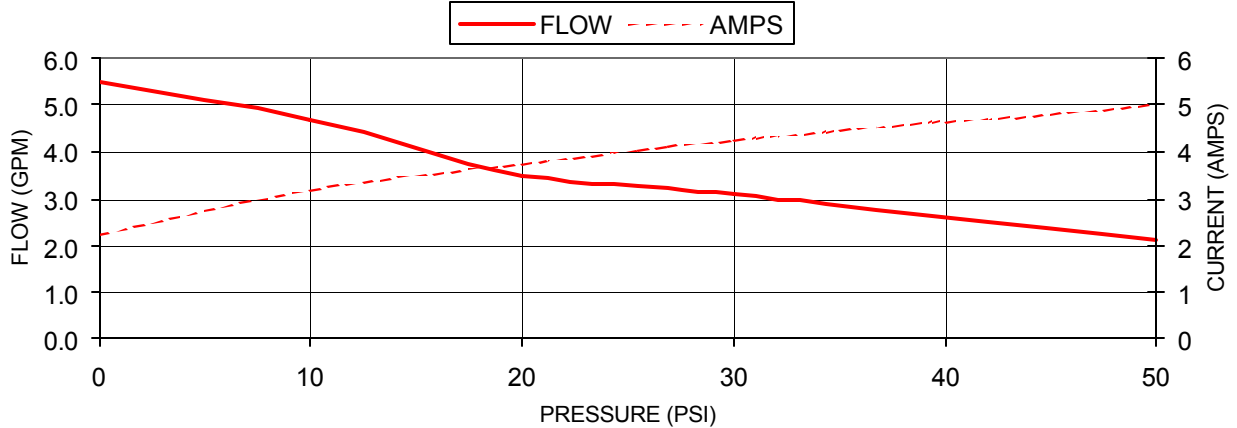


Item	Component	Part Kit
1	Valve Assembly	94-030-01
2	Drive Assembly	94-030-02

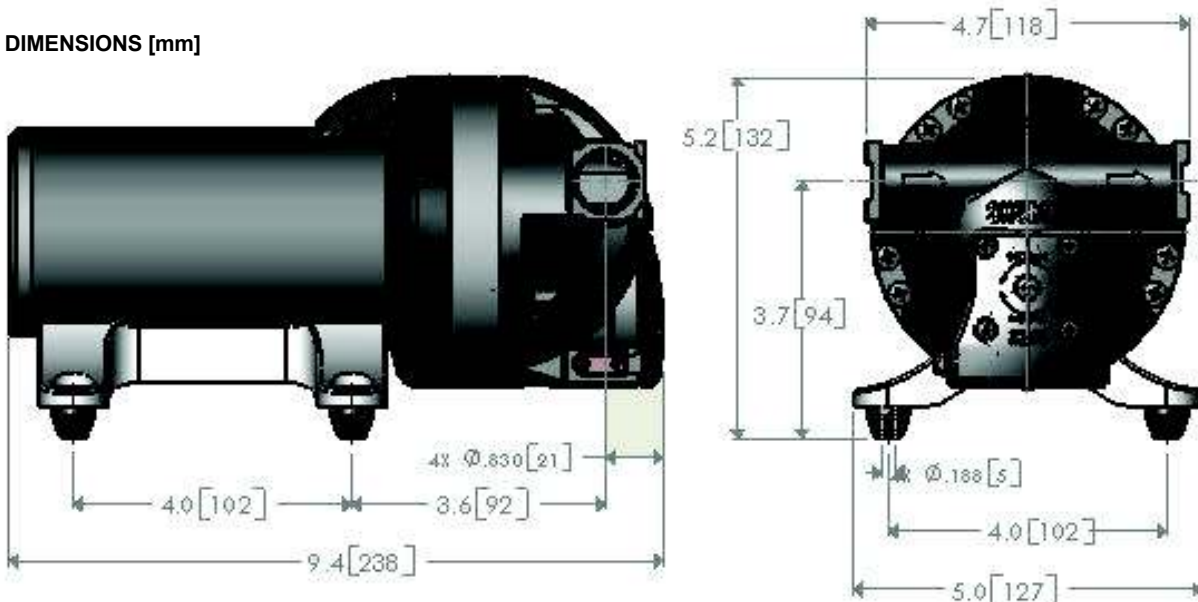


**PERFORMANCE @ 24V DC**

PRESSURE		FLOW		CURRENT
BAR	PSI	GPM	LPM	AMPS
0.0	0	5.50	20.8	2.22
0.7	10	4.70	17.8	3.20
1.4	20	3.50	13.2	3.75
2.1	30	3.10	11.7	4.25
3.5	50	2.10	7.94	5.00



**DIMENSIONS [mm]**



\*ISO Registered Facility *SHURflo reserves the right to update specifications, prices, or make substitutions.*

**SHURflo \***  
 5900A Katella Ave.  
 Cypress, Ca. 90630  
 (800) 854-3218 (562) 795-5200  
 FAX (562) 795-7554  
 Shipping/UPS: 5900C Katella Ave.  
 Cypress, Ca. 90630

**SHURflo East**  
 52748 Park Six Court  
 Elkhart, IN 46514-5427  
 (800) 762-809 (574) 262-0478  
 FAX (574) 264-2169  
 Http://www.shurflo.com  
 © 2001

**SHURflo Ltd. \***  
 Unit 5 Sterling Park  
 Gatwick Road, Crawley  
 West Sussex, RH10 2QT  
 United Kingdom  
 +44 1293 424000  
 FAX +44 1293 421880

