

**MODEL: 3000-300**

**SPECIFICATIONS:**

**MODEL NUMBER:** 3000-300

**PUMP DESIGN:** Flexible Impeller Pump With 3-Way Switch & 8 Ft. [2.4 M] Cable  
With Battery Clips

**REVERSIBLE FLOW:** Yes

**VOLTAGE:** 12 VDC Nominal

**MOTOR:** Permanent Magnet, Thermally Protected

**OPERATING PRESSURE:** 15 PSI (1.0 Bars) Max.

**LIQUID TEMPERATURE:** 40 °F to 185°F Max. [4°C to 85°C]

**PRIMING:** Self-Priming Up to 7.5 FT [2.3 M] Vertical Prime,  
25 FT [7.6 M] Horizontal Prime (With Water)

**PORTS:** 3/4" Garden Hose Thread (O.D.), 3/8" NPT (I.D.)

**MATERIAL OF CONSTRUCTION:**

**PLASTICS-** Glass Filled Polyester

**IMPELLER-** Buna-n

**LIP SEAL-** Buna-n

**FASTENERS-** Stainless Steel

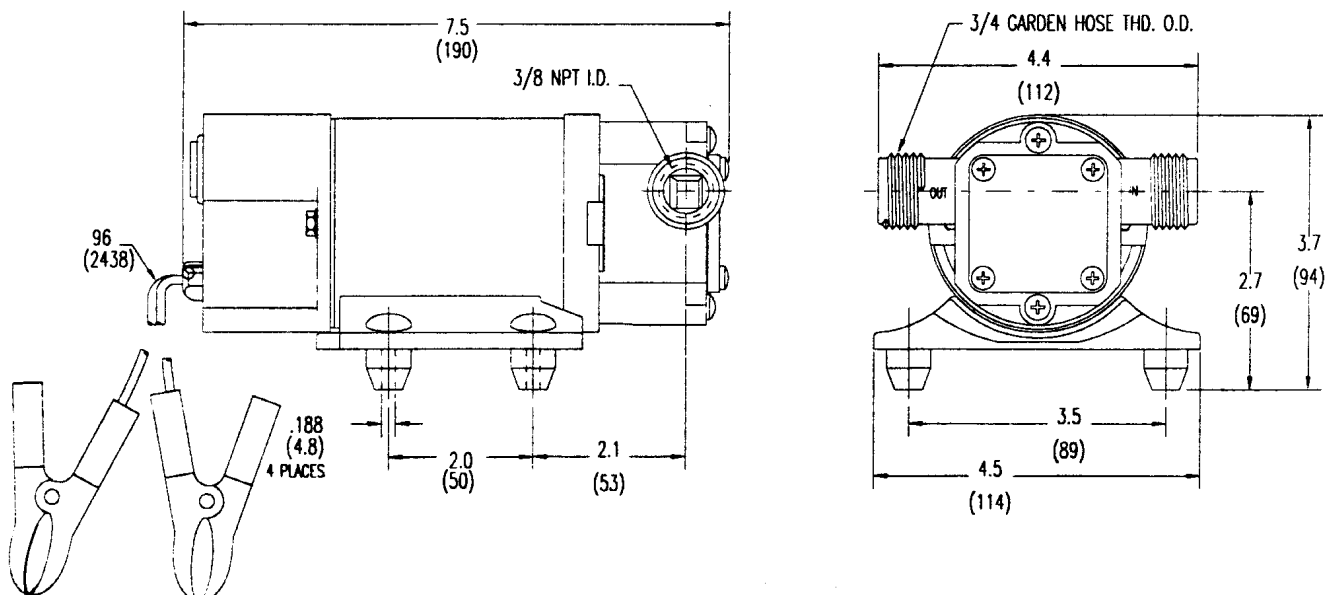
**NET WEIGHT:** 3.8 Lbs (1.7 Kg)

**DUTY CYCLE:** Intermittent (See Temperature Rise Chart)

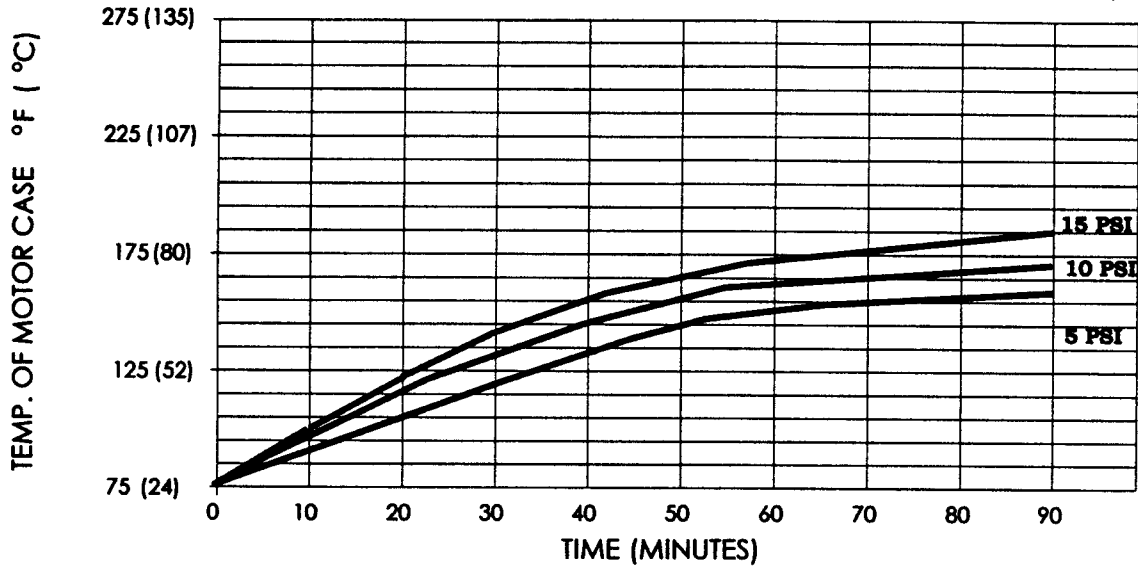
**AGENCY CERTIFICATION:** None

**TYPICAL APPLICATIONS:** General Purpose Transfer Pump

**DIMENSIONS:** inches (millimeters)

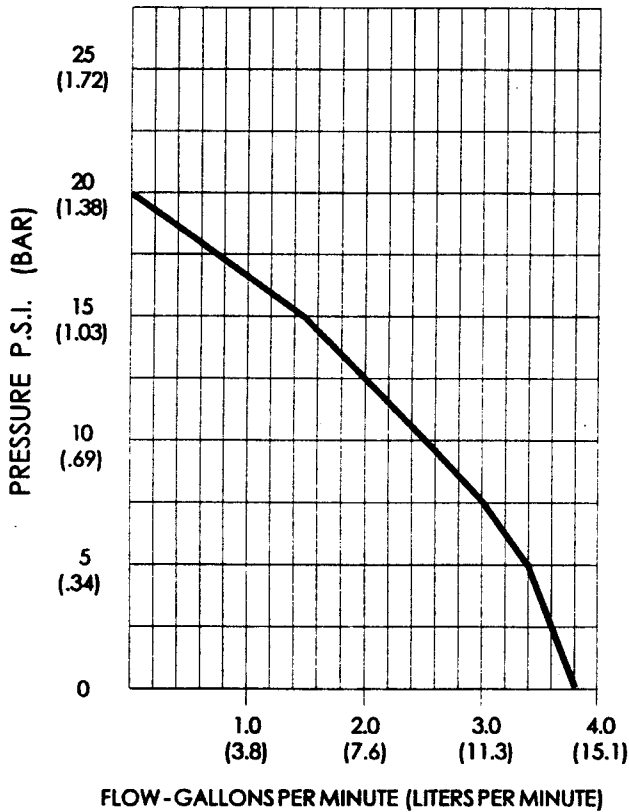


**TEMPERATURE RISE**



THIS GRAPH IS FOR USE AS A DESIGN GUIDE. IT IS BASED ON RUNNING CONTINUOUSLY WITH AN AMBIENT TEMPERATURE OF 70 °F IN STILL AIR.

**TYPICAL PERFORMANCE**



PRESSURE (PSI/BAR)	FLOW (GPM/LIT)	CURRENT (AMPS)	VOLTAGE (VOLTS)
<b>OPEN</b>	<b>3.8/14.2</b>	<b>6.5</b>	<b>12 VDC</b>
<b>5/.34</b>	<b>3.4/12.9</b>	<b>7.1</b>	<b>"</b>
<b>10/.69</b>	<b>2.5/9.5</b>	<b>7.4</b>	<b>"</b>
<b>15/1.03</b>	<b>1.5/5.7</b>	<b>8.0</b>	<b>"</b>
<b>20/1.38</b>	<b>0</b>	<b>9.1</b>	<b>"</b>

**-SPECIFICATIONS SUBJECT TO CHANGE WITHOUT NOTICE.  
-ALL DATA BASED ON TESTING WITH WATER.**

# SHURflo<sup>®</sup>

## 3" Permanent Magnet Motors



Shurflo's heavy duty industrial motors are designed to meet the needs for a wide range of applications. Their design allows for high output torque and maximum efficiency at a reasonable price.

When your system requirements call for quality, performance and on time delivery... call SHURflo Motor Products Group.

- Reversible/Speed Controllable
- Available in 12 & 24 Volt DC
- Fast Delivery - Normally in 3 weeks
- Class H insulation or better  
(NEMA 35-C heavy, 200°C)
- Speed & Shaft Length variations available

# 3" Permanent Magnet Motors

Shurflo Motor Products Group manufactures over 1 million motors a year for a variety of applications such as pump drives, air moving, brush drives, actuators, and more.

Designed with Class H insulation, these motors are the toughest and most reliable in their class today. To assure quality, these motors are built under the ISO-9001 umbrella with the same advanced processes that have made Shurflo the leader in pump technology for more than 25 years. When quality is important... choose the Best "SHURflo products".

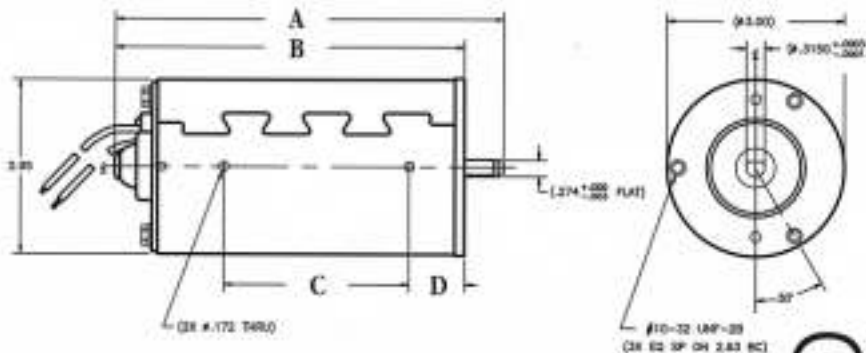
## TECHNICAL SPECIFICATIONS

Thermally protected	
Max. Current:	12VDC = 11Amps, 24VDC = 6Amps
Lead Length:	12.5 ± .5
Lead Wire Gauge:	12 & 24VDC = 16 AWG
Output Power @ Peak Eff.:	up to 85.8 Watts @ 50 oz-in. 81% Efficiency
Output Power @ Cont. Duty:	up to 93.7 Watts @ 56.7 oz-in. 78% Eff.
Mounting:	Side of housing or Face Mount
Insulation:	NEMA MW 35-C (Heavy) Class 200°C
Enclosure:	Totally Enclosed, Non-Vented
Bearings:	6203 Shielded Ball Type on Output Shaft End, Bushing on Rear
Agency Approvals:	Non-Required for 12 & 24 VDC
Weight:	2.7 to 4.7 lbs. (1.23 to 2.13 kg)
Direction of Rotation:	CCW when viewed from Shaft end, Reversible

\*TUV and CE Mark Pending. Technical specifications based on 115 VAC rectified, technical specification sheets are available for individual model numbers. SHURflo reserves the right to update specifications, change prices or make substitutions without notice.

## MOTOR PERFORMANCE DATA

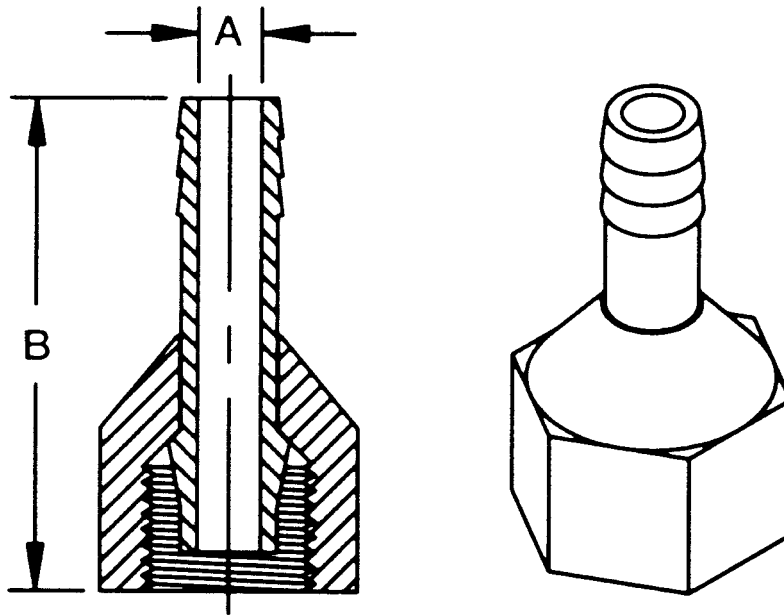
Volts (DC)	Model Number	Watts @ Cont. Duty	Max. Amps	Performance - Speed (RPM) vs. Torque (In. Oz.)							Dimensions in Inches (mm)			
				No Load	40	60	80	100	120	140	A	B	C	D
12	11-148-20	32.3	7	2100	1300	900	575	200	0		4.70 (119.4)	3.99 (101.3)	1.73 (43.9)	0.765 (19.4)
12	11-111-20	74	11	2500	2100	1800	1450	1100	700	350	5.47 (138.9)	4.78 (121.4)	2.38 (60.4)	0.765 (19.4)
12	11-185-20	93	12	2600	2400	2100	1750	1400	1100	800	6.58 (167.1)	5.89 (149.6)	3.15 (80.0)	0.935 (23.7)
24	11-221-20	38.3	4	2000	1450	1050	675	300	0		4.70 (119.4)	3.99 (101.3)	1.73 (43.9)	0.765 (19.4)
24	11-127-20	75	5	2500	2100	1900	1675	1400	1200	975	5.47 (138.9)	4.78 (121.4)	2.38 (60.4)	0.765 (19.4)
24	11-181-20	93.7	6	2600	2400	2200	1950	1700	1475	1200	6.58 (167.1)	5.89 (149.6)	3.15 (80.0)	0.935 (23.7)



# SHURflo®



WICOR Company



## SWIVEL HEXNUT STRAIGHT FITTINGS

PART NO.	TUBE I.D.	A	B
8-072-XX	1/4"	.181 DIA.	1.81
8-071-XX	3/8"	.250 DIA.	1.90
8-070-XX	1/2"	.375 DIA.	1.90