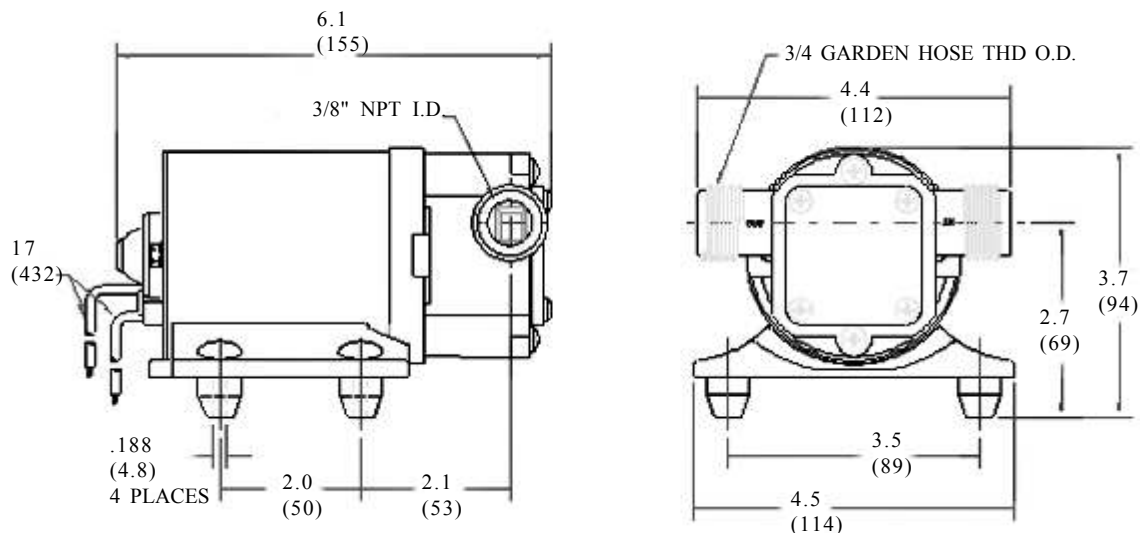


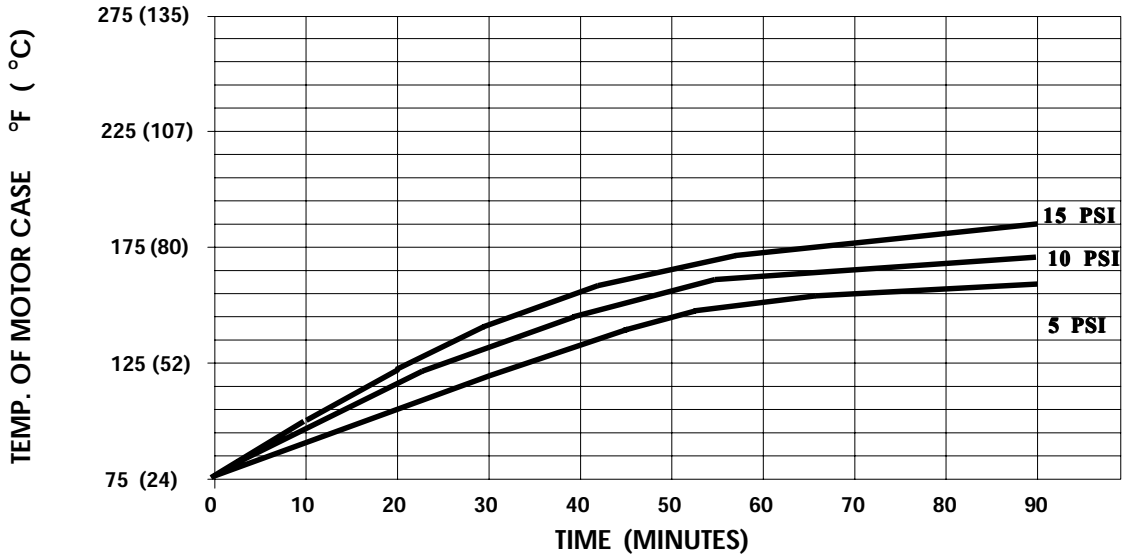
### SPECIFICATIONS:

**MODEL NUMBER:** 3000-050  
**PUMP DESIGN:** Flexible Impeller Pump  
**VOLTAGE:** 12 VDC Nominal  
**MOTOR:** Permanent Magnet, Thermally Protected  
**FUSE:** Supply Pump With 15 Amps Time Delay Fuse  
**OPERATING PRESSURE:** 15 PSI (1.0 Bars) Max.  
**LIQUID TEMPERATURE:** 40 ° F to 185 ° F Max. [4 °C to 85 °C]  
**PRIMING:** Self-Priming Up to 7.5 FT [2.3 M] Vertical Prime,  
25 FT [7.6 M] Horizontal Prime (With Water)  
**PORTS:** 3/4" Garden Hose Thread (O.D.), 3/8" NPT (I.D.)  
**MATERIAL OF CONSTRUCTION:**  
    **PLASTICS-** Glass Filled Polyester  
    **IMPELLER-** Buna-n  
    **LIP SEAL-** Buna-n  
    **FASTENERS-** Stainless Steel  
**NET WEIGHT:** 3.3 Lbs (1.5 Kg)  
**DUTY CYCLE:** Intermittent (See Temperature Rise Chart)  
**AGENCY CERTIFICATION:** UL, C-UL Marine Listing  
**TYPICAL APPLICATIONS:** General Purpose Transfer Pump

### DIMENSIONS: inches (millimeters)

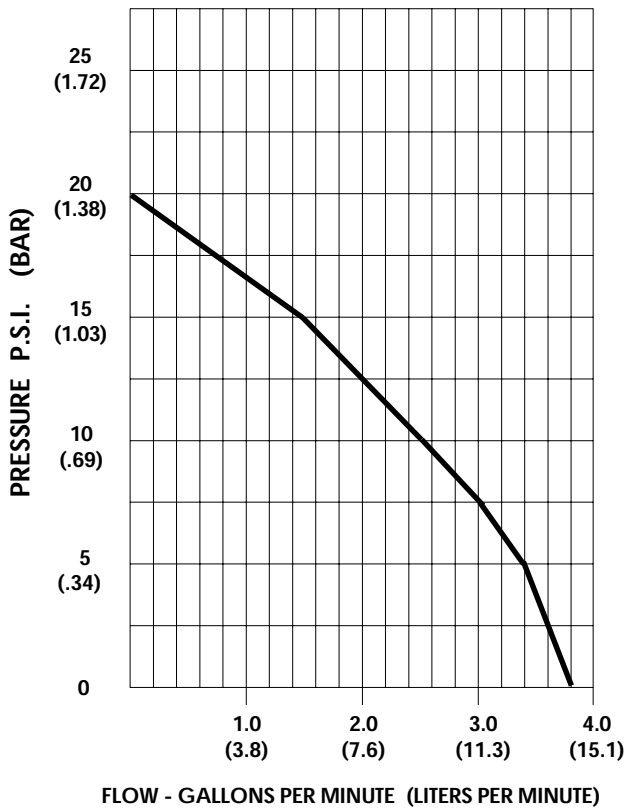


**TEMPERATURE RISE**



THIS GRAPH IS FOR USE AS A DESIGN GUIDE. IT IS BASED ON RUNNING CONTINUOUSLY WITH AN AMBIENT TEMPERATURE OF 70° F IN STILL AIR.

**TYPICAL PERFORMANCE**



PRESSURE (PSI/BAR)	FLOW (GPM/LIT)	CURRENT (AMPS)	VOLTAGE (VOLTS)
<b>OPEN</b>	<b>3.8/14.2</b>	<b>6.5</b>	<b>12 VDC</b>
<b>5/.34</b>	<b>3.4/12.9</b>	<b>7.1</b>	<b>"</b>
<b>10/.69</b>	<b>2.5/9.5</b>	<b>7.4</b>	<b>"</b>
<b>15/1.03</b>	<b>1.5/5.7</b>	<b>8.0</b>	<b>"</b>
<b>20/1.38</b>	<b>0</b>	<b>9.1</b>	<b>"</b>

*-SPECIFICATIONS SUBJECT TO CHANGE WITHOUT NOTICE.  
-ALL DATA BASED ON TESTING WITH WATER.*