



MARINE PRODUCT DATA SHEET

OEM: 277-3100 (3" Blower)
AFTERMARKET: 277-3110 (3" Blower)

SHURflo has developed a unique nylon fan that includes 6 blades to ensure high performance and efficient ventilation. Installation of the Yellowtail™ Blower is made easy with extended barbs and slotted mounting bracket.

TYPICAL APPLICATIONS

Ventilation for engine compartments, bilges, galleys and head closets. For other applications contact SHURflo

BLOWER

Type: In-line Blower
Port (Output): 3" Barb
Port (Inlet): 3" Barb
Fan: 6 Blade

ELECTRICAL

Motor: 12VDC Permanent Magnet
Protection: External Fuse (Not supplied)
Leads: 12 In (0.3M) Tinned Wire
Fuse: 5 Amp Recommended
Control: No Control

MATERIALS

Housing: ABS Plastic
Fan: Nylon 6/6 30% Glass Filled

APPROVALS

ISO 9097 Marine, Ignition Protected, CE,
USCG 183.410 Compliant, NMMA Type Accepted, ABYC

WARRANTY

3 Year Limited Warranty
See SB-1050 For Full Warranty Details

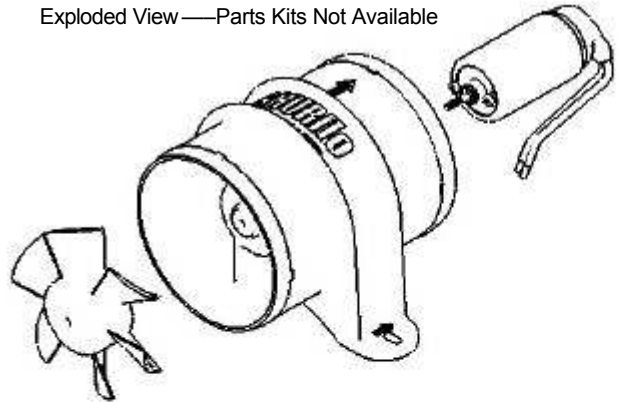
SHIPPING

Net Weight: 0.8 Lb [0.36 Kg] each
Carton Weight: 29 Lb [13.15 Kg]
Blowers in carton: 30
Carton Size: 24"L x18 "W x 11"H
[60.9 cm x 45.7 cm x 27.9 cm]

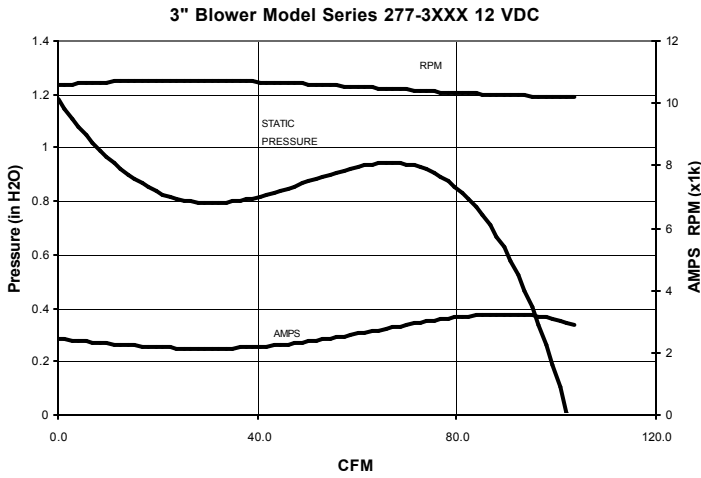
RELATED DOCUMENTS

Catalog: MS-030-140
Installation Manual: 911-723
Maintenance: 911-723
Applications Spec Guide: MS-020-005
Warranty: SB-1050

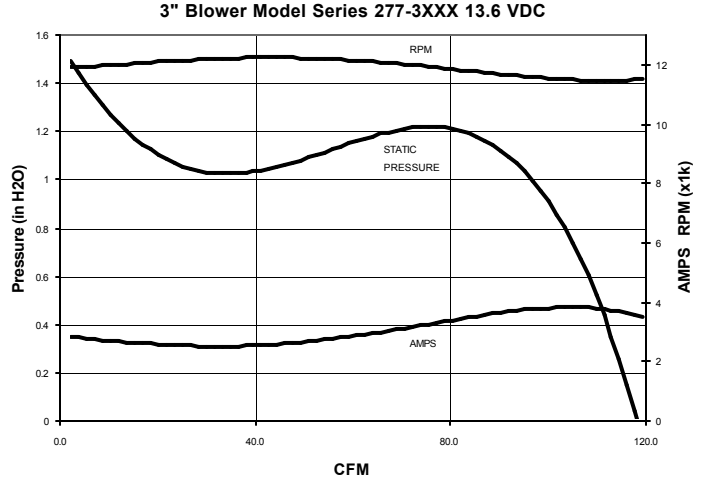
Exploded View —Parts Kits Not Available



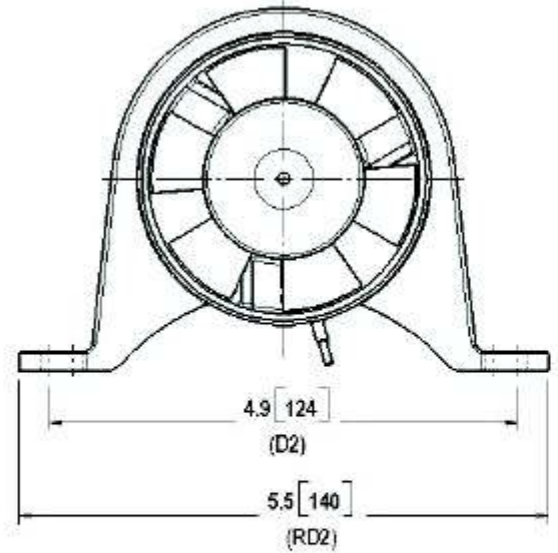
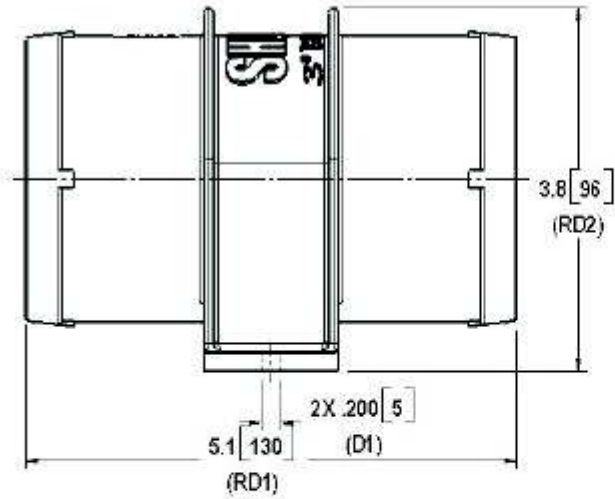
Performance at Nominal Voltage 12 VDC



Performance at Rated Voltage (113.3%) 13.6 VDC



DIMENSIONS [mm]



*ISO Registered Facility

SHURflo reserves the right to update specifications, prices, or make substitutions.

SHURflo *
 5900A Katella Ave.
 Cypress, Ca. 90630
 (800) 854-3218 (562) 795-5200
 FAX (562) 795-7554
 Shipping/UPS: 5900C Katella Ave.
 Cypress, Ca. 90630

SHURflo East
 52748 Park Six Court
 Elkhart, IN 46514-5427
 (800) 762-809 (574) 262-0478
 FAX (574) 264-2169
 Http://www.shurflo.com
 © 2001

SHURflo Ltd. *
 Unit 5 Sterling Park
 Gatwick Road, Crawley
 West Sussex, RH10 2QT
 United Kingdom
 +44 1293 424000
 FAX +44 1293 421880

