

# MARINE PRODUCT DATA SHEET

OEM 2093-224-213 (Not Validated)  
AFTERMARKET 2093-224-313



## Silencer



## TYPICAL APPLICATIONS

Multi-fixture marine potable water installations. Other uses may include 12 VDC pressurized water systems in cabins. This pump may be used for general water transfer. For other applications, contact SHURflo.

## PUMP

Type: 3 Chamber Diaphragm  
Ports: 1/2"-14 NPSM-Male  
Liquid: 130 °F [54 °C] Max  
Prime: 6 feet [1.82 M]  
Inlet PSI: 30 PSI [2.1 Bar] Max  
Run Dry: Yes

## ELECTRICAL

Motor: 12VDC Permanent Magnet, Intermittent Duty  
Protection: Thermal Overload, Automatic Restart  
Leads: 16 AWG, 16" [40 cm] Red +, 13" [33 cm] Black -  
Fuse: 10 Amp Recommended  
Control: Adjustable Switch with Check Valve  
Shut-Off 30 PSI [3.1 Bar] ± 5 PSI [0.4 Bar]  
Restart 18 PSI [1.8 Bar] ± 5 PSI [0.4 Bar]

## MATERIALS

Housing: Polypropylene  
Valves: EDPM  
Diaphragm: Santoprene  
Hardware: Stainless Steel

## APPROVALS

UL Marine, Ignition Protected, ISO 8846, c-UL

## WARRANTY

5 Year Limited Warranty  
See SB-1050 For Full Warranty Details

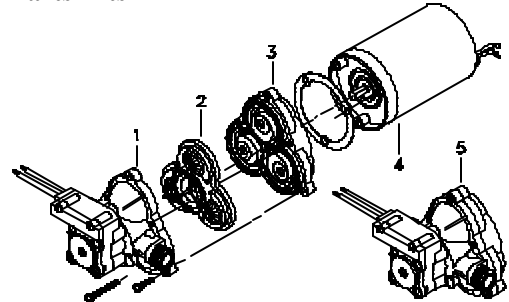
## SHIPPING

Net Weight (Boxed): 5 Lb [2.3Kg] each  
Carton Weight: 12 each, 61 Lb [28 Kg]  
Carton Size: 24"L x 18"W x 11"H  
[61cm x 46cm x 28cm]

## RELATED DOCUMENTS

Catalog: MS-030-084  
Installation Manual: 911-454  
Maintenance: 911-454  
Applications Spec Guide: MS-020-005  
Warranty: SB-1050

## Parts Kits



Number	Component	Parts Kit
1	Housing/Switch	94-231-10
2	Valve Assembly	94-232-06
3	Drive Assembly	94-238-03
4	Motor	11-192-06
5	Pump Head	94-236-45
Not Shown	Check Valve	94-237-00



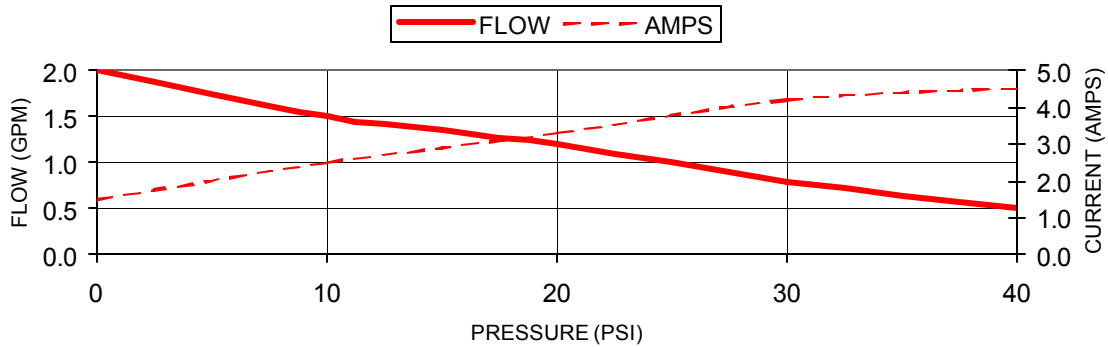
# MARINE PRODUCT DATA SHEET

OEM 2093-224-213 (Not Validated)  
 AFTERMARKET 2093-224-313

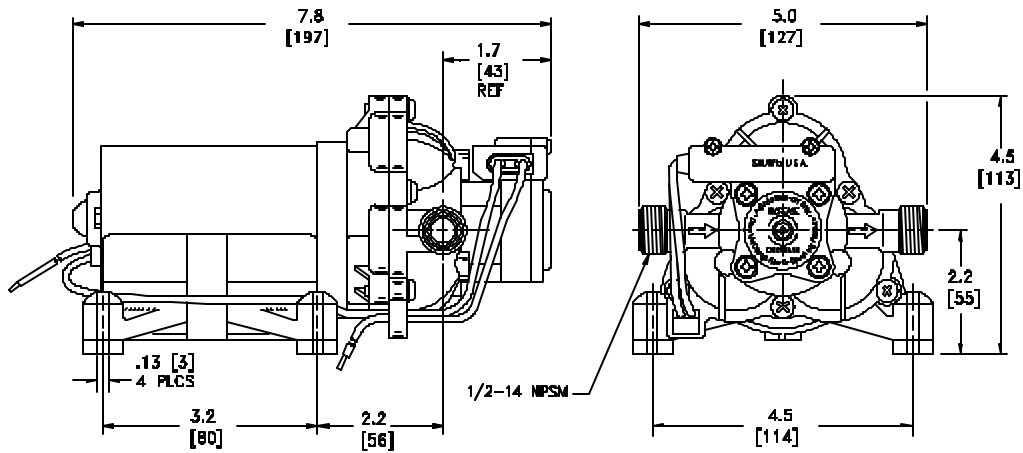


## TYPICAL PERFORMANCE @ 12V DC

PRESSURE		FLOW		CURRENT
BAR	PSI	GPM	LPM	AMPS
0.0	0	2.0	7.5	1.5
0.7	10	1.5	5.6	2.5
1.4	20	1.2	4.5	3.3
2.1	30	0.8	3.0	4.2
2.8	40	0.5	1.9	4.5



### DIMENSIONS [mm]



\*ISO Registered Facility

SHURflo reserves the right to update specifications, prices, or make substitutions.

SHURflo \*  
 5900A Katella Ave.  
 Cypress, Ca. 90630  
 (800) 854-3218 (562) 795-5200  
 FAX (562) 795-7554  
 Shipping/UPS: 5900C Katella Ave.  
 Cypress, Ca. 90630

SHURflo East  
 52748 Park Six Court  
 Elkhart, IN 46514-5427  
 (800) 762-809 (574) 262-0478  
 FAX (574) 264-2169  
 Http://www.shurflo.com  
 © 2001

SHURflo Ltd. \*  
 Unit 5 Sterling Park  
 Gatwick Road, Crawley  
 West Sussex, RH10 2QT  
 United Kingdom  
 +44 1293 424000  
 FAX +44 1293 421880

