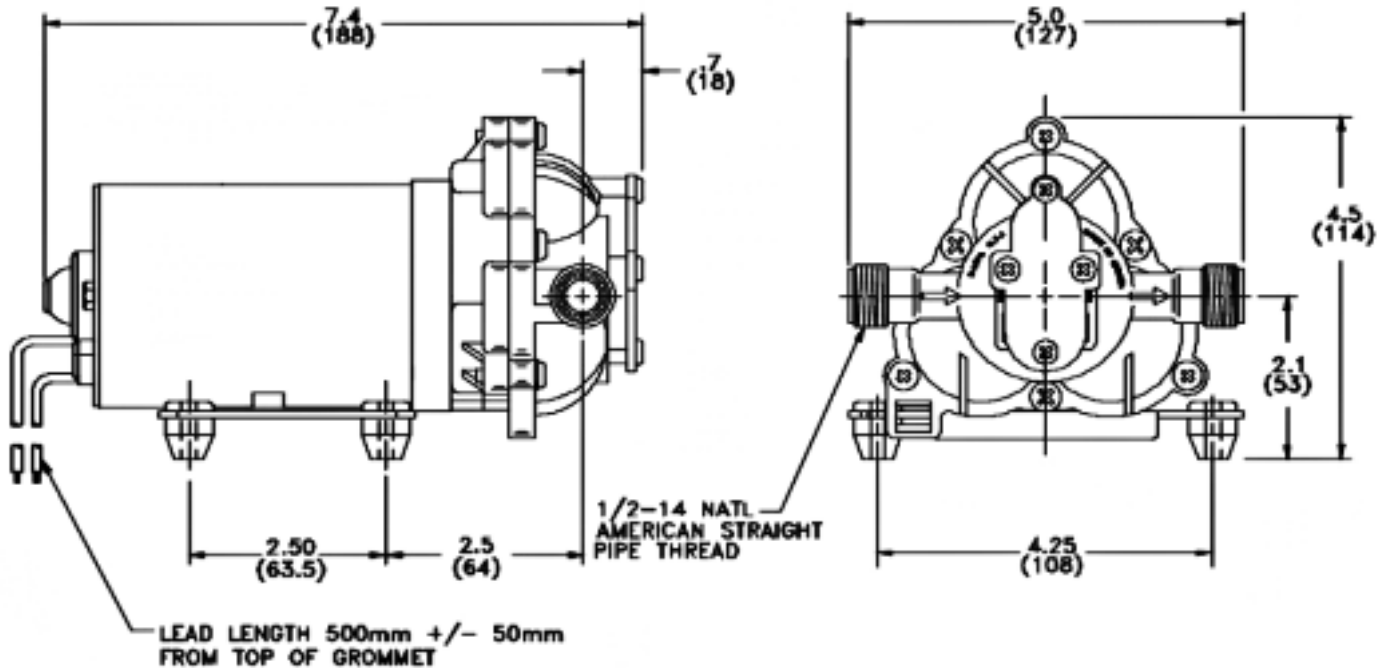


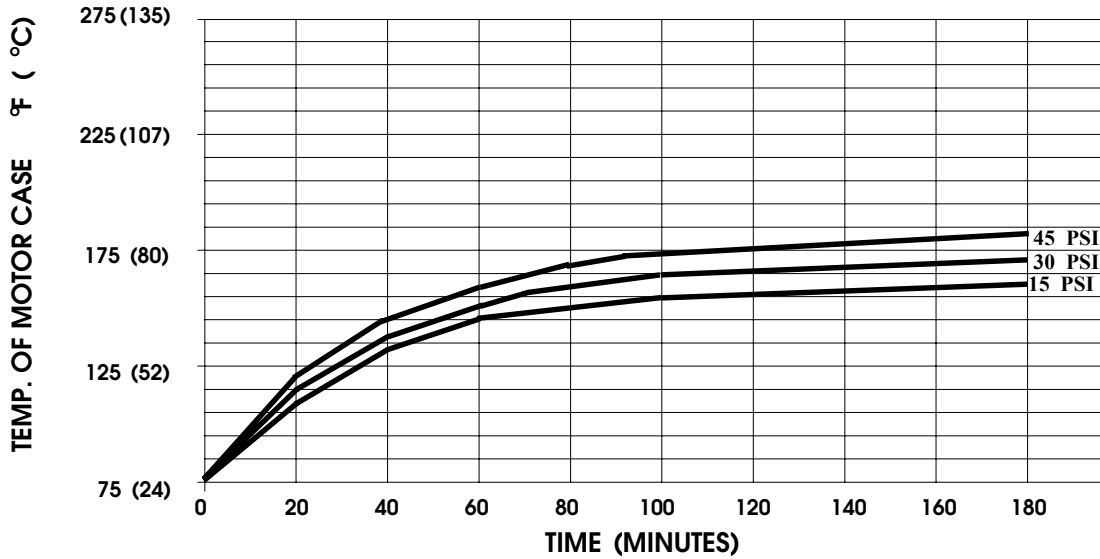
**SPECIFICATIONS:**

- MODEL NUMBER:** 2088-774-500
- PUMP DESIGN:** Positive Displacement 3 Chamber Diaphragm Pump w/ Diaphragm Support
- CHECK VALVE:** NONE
- CAM:** 3.0 Degree
- MOTOR:** Permanent Magnet, P/N 11-127-11
- VOLTAGE:** 24 VDC Nominal
- PRESSURE SWITCH:** None
- LIQUID TEMPERATURE:** 130 Degrees Fahrenheit (54 Degrees Centigrade) Max.
- PRIME:** Self-Priming Up To 7.0 Feet (2.4 Meters) Vertical,
- PORTS:** 1/2" - 14 Male Parallel Thread
- MATERIAL OF CONSTRUCTION:**
  - PLASTICS-** Polypropylene
  - VALVES-** Santoprene
  - DIAPHRAGM-** Santoprene
  - FASTENERS-** Zinc Plated Steel
- NET WEIGHT:** 4.1 Lbs (2.27 Kg)
- DUTY CYCLE:** Continuous (See Temp. Rise Chart)

**DIMENSIONS:**

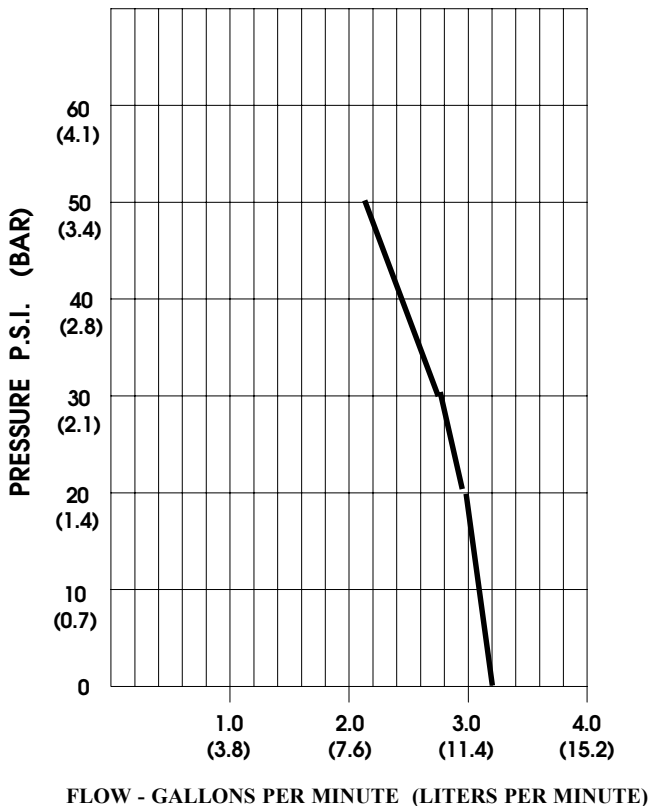


**TEMPERATURE RISE**



THIS GRAPH IS FOR USE AS A DESIGN GUIDE. IT IS BASED ON RUNNING CONTINUOUSLY WITH AN AMBIENT TEMPERATURE OF 75° F IN STILL AIR.

**TYPICAL PERFORMANCE**



PRESSURE (PSI)	FLOW (GPM)	RPM MIN/MAX	CURRENT (AMPS)	VOLTAGE (VOLTS)
OPEN	3.30	2312/2339	1.71	24 VDC
10	2.89	2219/2238	2.56	"
20	2.65	2132/2165	3.12	"
30	2.37	2079/2117	3.59	"
40	2.10	2044/2093	4.08	"
50	1.74	2027/2066	4.11	"

*-SPECIFICATIONS SUBJECT TO CHANGE WITHOUT NOTICE.*

*-ALL DATA BASED ON TESTING WITH WATER.*