

## SPECIFICATIONS:

**MODEL NUMBER:** 2088-594-500

**PUMP DESIGN:** Positive Displacement 3 Chamber Diaphragm Pump

**CHECK VALVE:** None

**CAM:** 3.0 Degree

**MOTOR:** Permanent Magnet, P/N 11-195-00, with Power Cord

**VOLTAGE:** 115 VAC Nominal

**PRESSURE SWITCH:** None

**LIQUID TEMPERATURE:** 130 Degrees Fahrenheit (54 Degrees Centigrade) Max.

**PRIME:** Self-Priming Up To 9 Ft. Vertical,  
Max. Inlet Pressure 30 PSI (2.1 Bar)

**PORTS:** 1/2" - 14 Male Parallel Thread

**MATERIAL OF CONSTRUCTION:**

**PLASTICS-** Polypropylene

**VALVES-** Santoprene

**DIAPHRAGM-** Santoprene

**FASTENERS-** Zinc Plated Steel

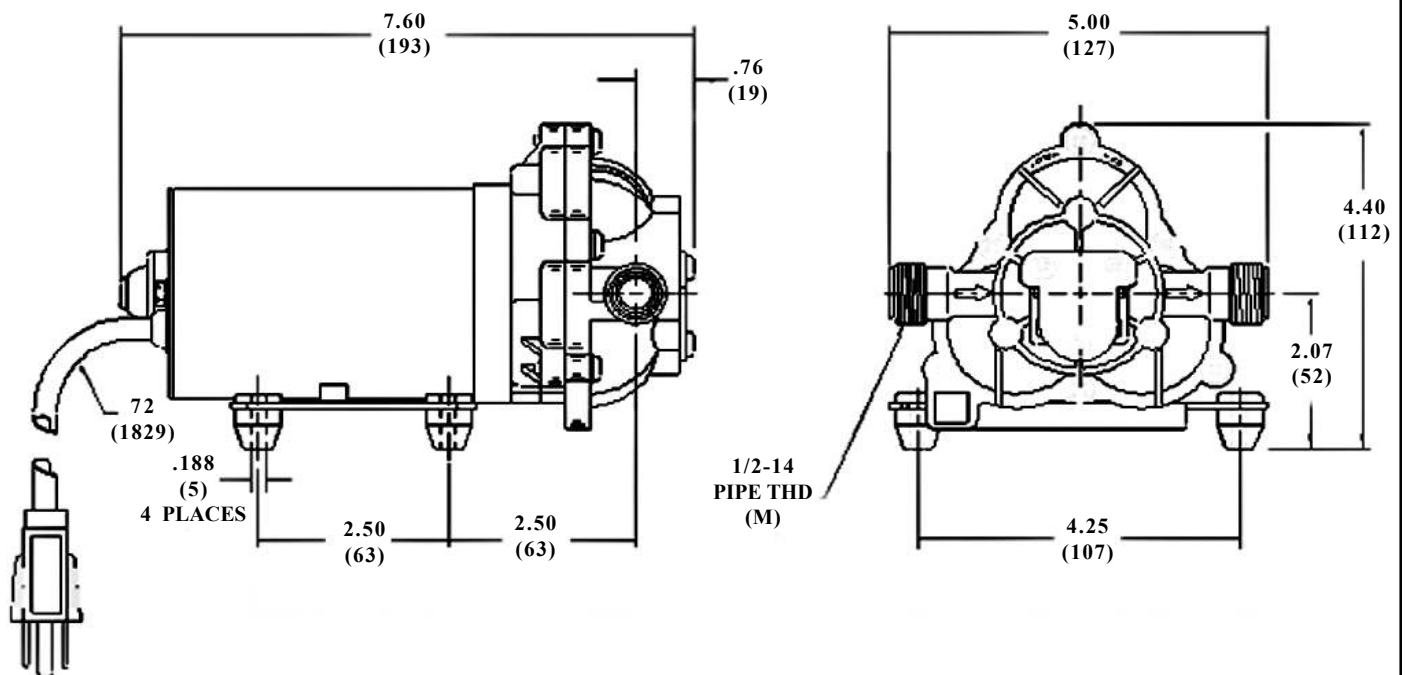
**NET WEIGHT:** 5.5 Lbs (2.5 Kg)

**DUTY CYCLE:** Intermittent (See Temperature Rise Chart)

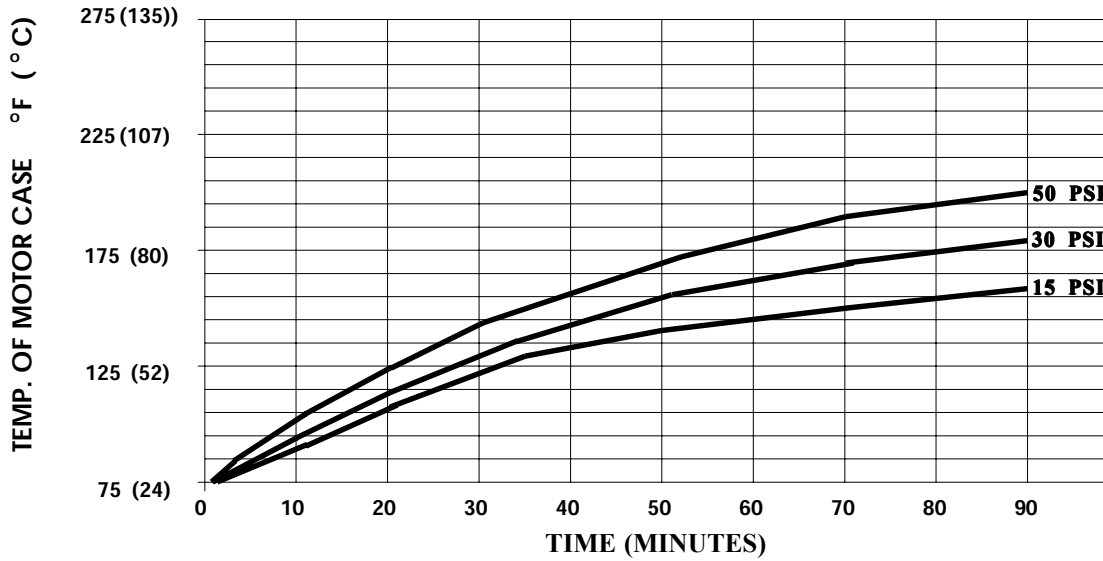
**TYPICAL APPLICATIONS:** Water Delivery

**APPROVALS:** N.S.F. Listed

## DIMENSIONS:

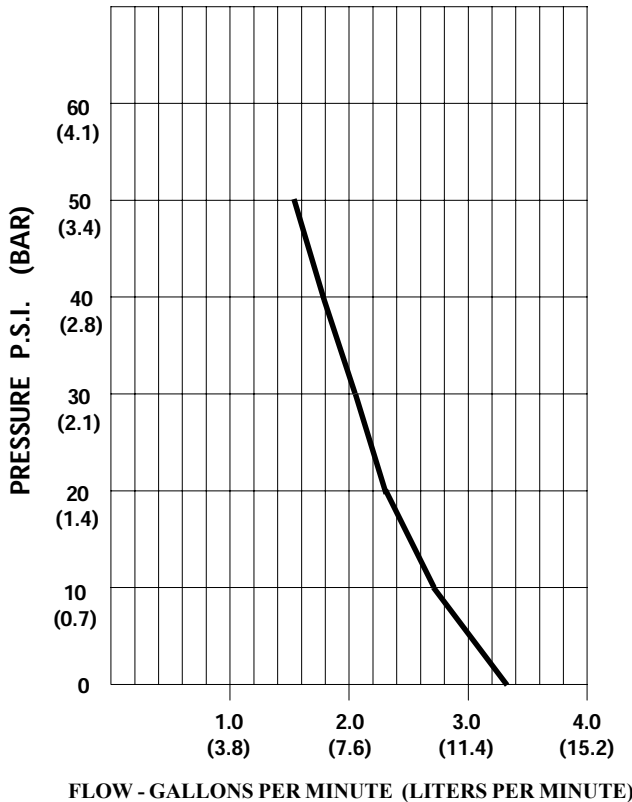


**TEMPERATURE RISE**



THIS GRAPH IS FOR USE AS A DESIGN GUIDE. IT IS BASED ON RUNNING CONTINUOUSLY WITH AN AMBIENT TEMPERATURE OF 75° F IN STILL AIR.

**TYPICAL PERFORMANCE**



PRESSURE (PSI)	FLOW (GPM/LIT)	RPM MIN/MAX	CURRENT (AMPS)	VOLTAGE (VOLTS)
OPEN	3.30/12.5	1985/2160	0.55	115 VAC
10	2.65/10.0	1938/2115	0.60	"
20	2.30/8.7	1826/1990	0.70	"
30	2.00/7.6	1745/1895	0.80	"
40	1.80/6.8	1670/1835	0.85	"
50	1.50/5.7	1620/1790	0.90	"

*-SPECIFICATIONS SUBJECT TO CHANGE WITHOUT NOTICE.  
-ALL DATA BASED ON TESTING WITH WATER.*