

## SPECIFICATIONS:

MODEL NUMBER: 100-000-25

PUMP DESIGN: Positive Displacement Wobbler Pump

MOTOR: Permanent Magnet, P/N 11-144-07

VOLTAGE: 12VDC Nominal

LIQUID TEMPERATURE: 130 Degrees Fahrenheit Max.

PRIME: Self-Priming Up To 4 in. Vertical,  
Max. Inlet Pressure 30 PSI (2.1 Bar)

PORTS: 3/8" Barb

MATERIAL OF CONSTRUCTION:

PLASTICS- Polyphenylene Sulfide

ELASTOMERS- Nitrile-Butadiene

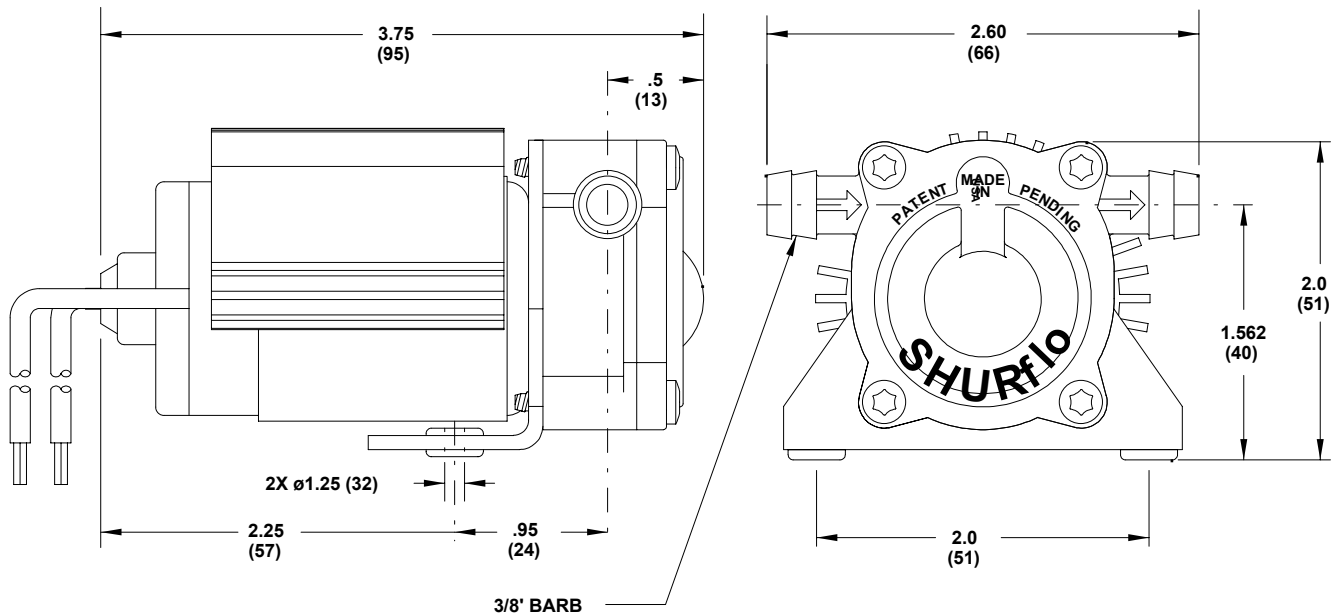
FASTENERS- Stainless Steel

NET WEIGHT: .75 Lbs (34g)

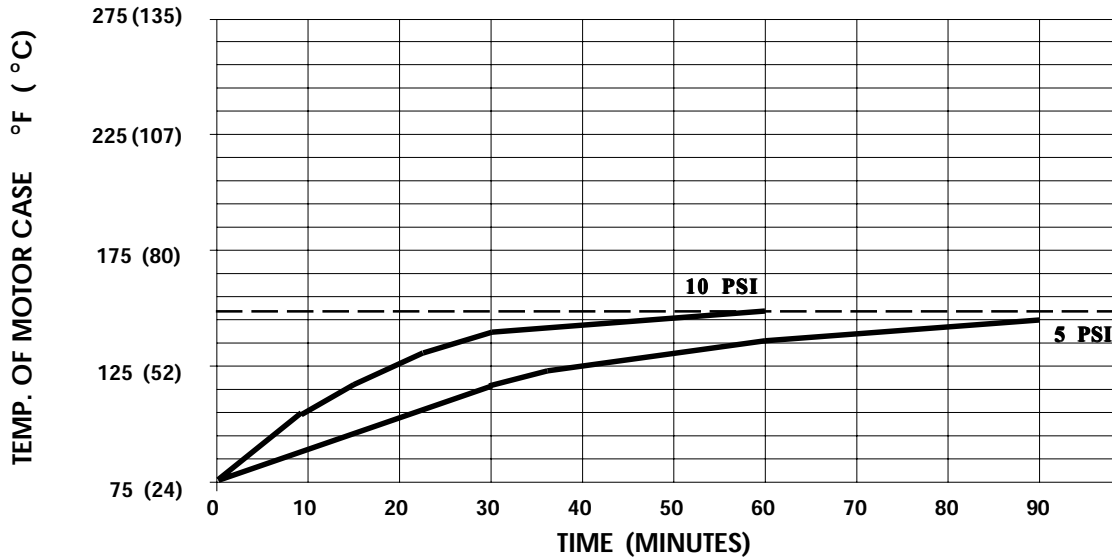
DUTY CYCLE: Intermittent (See Temperature Rise Chart)

TYPICAL APPLICATIONS: ATF/Power Steering Fluid Transfer Pump

## DIMENSIONS:



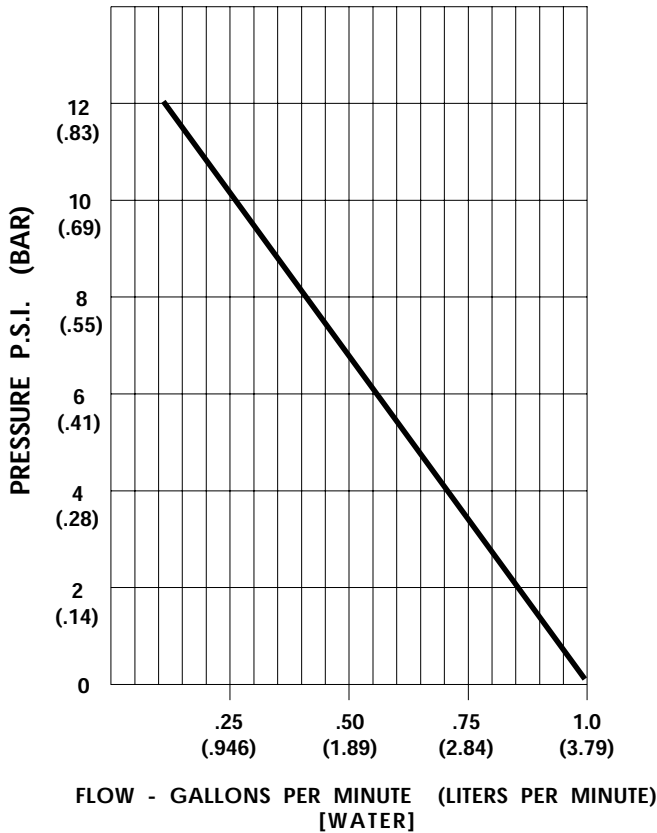
TEMPERATURE RISE



THIS GRAPH IS FOR USE AS A DESIGN GUIDE. IT IS BASED ON RUNNING CONTINUOUSLY WITH AN AMBIENT TEMPERATURE OF 70 °F IN STILL AIR. THE THERMAL BREAKER WILL OPEN WHEN THE CASE TEMPERATURE REACHES 140 °F.

[ - - - - - TRIP POINT OF THERMAL PROTECTOR ]

TYPICAL PERFORMANCE



PRESSURE (PSI)	FLOW (GPM/LIT)	CURRENT (AMPS)	VOLTAGE (VOLTS)
2	0.87/3.3	1.3	12VDC
4	0.71/2.7	1.4	"
6	0.57/2.2	1.5	"
8	0.41/1.6	1.6	"
10	0.27/1.0	1.8	"
12	0.11/0.4	1.9	"

*-SPECIFICATIONS SUBJECT TO CHANGE WITHOUT NOTICE.  
-ALL DATA BASED ON TESTING WITH WATER.*